

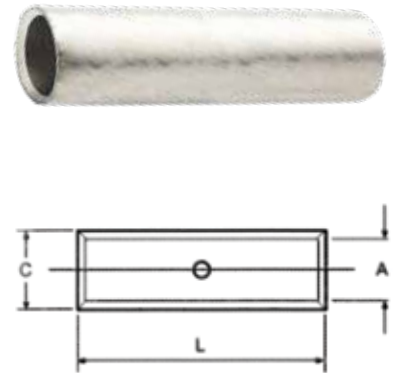
COPPER IN-LINE CONNECTORS : (LONG BARREL)

Material : Electrolytic High Conductivity-Copper

Finish : Electro Tinned Plated

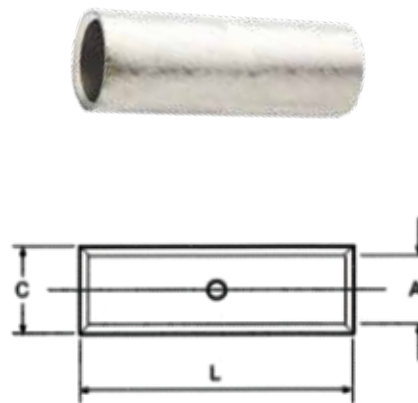
Lemax Series of connectors are designed for jointing low voltage conductors and its made from Tinned copper tube.

Product Ref.	Size mm ²	Dimensions mm		
		A	C	L
LMCCF-1.5	1.5	1.8	3.7	22
LMCCF-2.5	2.5	2.4	4	22
LMCCF-4	4	3.1	4.8	22
LMCCF-6	6	3.8	5.5	22
LMCCF-10	10	4.5	6.2	22
LMCCF-16	16	5.4	7.1	44
LMCCF-25	25	6.8	8.8	47
LMCCF-35	35	8.2	10.6	47
LMCCF-50	50	9.5	12.4	47
LMCCF-70	70	11.3	14.6	50
LMCCF-95	95	13.5	17.4	54
LMCCF-120	120	15	19.4	65
LMCCF-150	150	16.5	21.2	65
LMCCF-185	185	18.5	23.5	65
LMCCF-240	240	21	26.5	89
LMCCF-300	300	23.5	30	89
LMCCF-400	400	28.5	36.5	90
LMCCF-500	500	30	39	115
LMCCF-630	630	35	45	115
LMCCF-800	800	39	50.6	230
LMCCF-1000	1000	43	56.2	230



COPPER IN-LINE CONNECTORS : (SHORT BARREL)

Product Ref.	Size mm ²	Dimensions mm		
		A	C	L
LMCCFS-1.5	1.5	1.8	3.7	12
LMCCFS-2.5	2.5	2.4	4	15
LMCCFS-4	4	3.1	4.8	15
LMCCFS-6	6	3.8	5.5	15
LMCCFS-10	10	4.5	6.2	20
LMCCFS-16	16	5.4	7.1	20
LMCCFS-20	20	6.3	7.7	22
LMCCFS-25	25	6.8	8.8	32
LMCCFS-35	35	8.2	10.6	36
LMCCFS-50	50	9.5	12.4	40
LMCCFS-70	70	11.3	14.6	45
LMCCFS-95	95	13.5	17.4	45
LMCCFS-120	120	15	19.4	50
LMCCFS-150	150	16.5	21.2	55
LMCCFS-185	185	18.5	23.5	60
LMCCFS-240	240	21	26.5	80
LMCCFS-300	300	23.5	30	85
LMCCFS-400	400	28.5	36.5	85
LMCCFS-500	500	30	39	100
LMCCFS-630	630	35	45	110
LMCCFS-800	800	39	50.6	150
LMCCFS-1000	1000	43	56.2	170



(All Dimensions in mm)