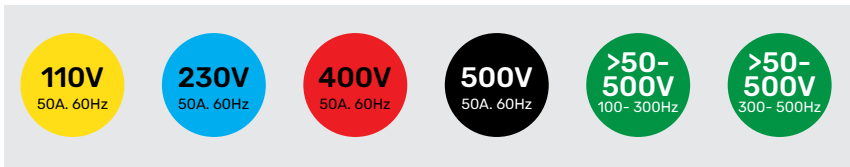
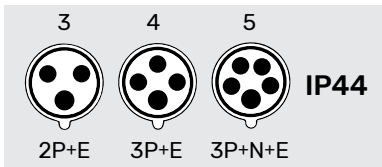


FLANGED/PANEL SOCKETS



STR313-4 16A 3P 4H
STR323-4 32A 3P 4H

STR313 16A 3P 6H
STR323 32A 3P 6H

STR314 16A 4P 6H
STR324 32A 4P 6H

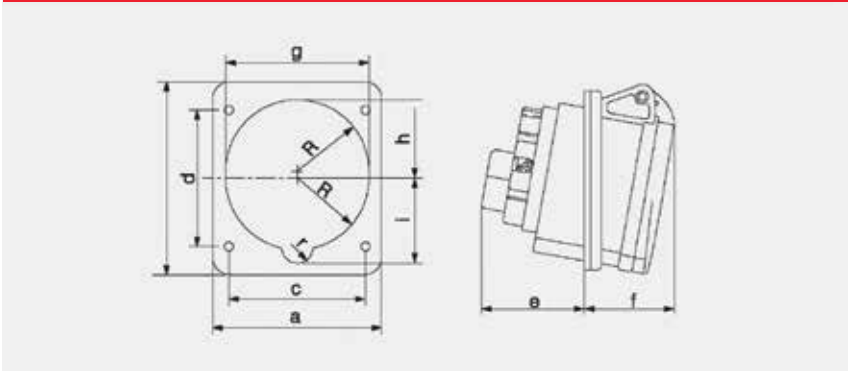
STR315 16A 5P 6H
STR325 32A 5P 6H

| AMPER | POLES | 3p | 4p | 5p | 3p | 4p | 5p | 3p | 4p | 5p | 3p | 4p | 5p | 3p | 4p | 5p | |
|-------|-------|----|----|----|----|----|----|----|----|----|----|----|----|-----|-----|-----|----|
| | | 4h | 4h | 4h | 6h | 9h | 9h | 9h | 6h | 6h | 7h | 7h | 7h | 10h | 10h | 10h | 2h |

IP44 Flanged/Panel Sockets

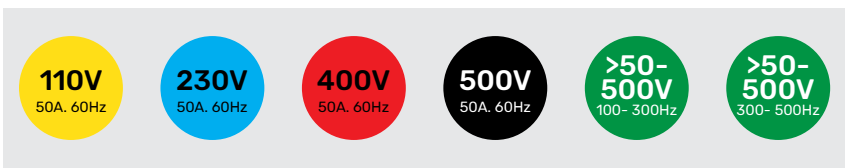
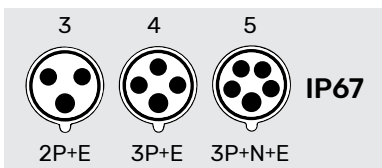
| | | | | | | | |
|---------|---|----------|----------|----------|----------|-----------|----------|
| 16 A | 3 | STR313-4 | STR313 | STR313-9 | STR313-7 | STR313-10 | STR313-2 |
| | 4 | STR314-4 | STR314-9 | STR314 | STR314-7 | STR314-10 | STR314-2 |
| | 5 | STR315-4 | STR315-9 | STR315 | STR315-7 | STR315-10 | STR315-2 |
| 32 A | 3 | STR323-4 | STR323 | STR323-9 | STR323-7 | STR323-10 | STR323-2 |
| | 4 | STR324-4 | STR324-9 | STR324 | STR324-7 | STR324-10 | STR324-2 |
| | 5 | STR325-4 | STR325-9 | STR325 | STR325-7 | STR325-10 | STR325-2 |

Dimension



| Current | 16A | | | 32A | | | |
|------------------------------|------|-------|------|------|--------|------|------|
| | Pole | 3 | 4 | 5 | 3 | 4 | 5 |
| a | | 75.5 | 75.5 | 75.5 | 75.5 | 75.5 | 80 |
| b | | 86.5 | 86.5 | 86.5 | 86.5 | 86.5 | 90 |
| c | | 61 | 61 | 61 | 61 | 61 | 65 |
| d | | 61 | 61 | 61 | 61 | 61 | 70 |
| e | | 36 | 40 | 40 | 55 | 55 | 51 |
| f | | 37 | 40 | 41 | 42 | 42 | 45 |
| g | | 57.5 | 64 | 64 | 64 | 64 | 70 |
| h | | / | 35 | 35 | 35 | 35 | 37.5 |
| l | | / | 38 | 38 | 38 | 38 | 40.5 |
| R | | / | 32 | 32 | 32 | 32 | 35 |
| r | | / | 7 | 7 | 7 | 7 | 7 |
| Cable size(mm ²) | | 1.5-4 | | | 2.5-10 | | |

FLANGED/PANEL SOCKETS



STR3131-4 16A 3P 4H
STR3231-4 32A 3P 4H

STR3131 16A 3P 6H
STR3231 32A 3P 6H

STR3141 16A 4P 6H
STR3241 32A 4P 6H

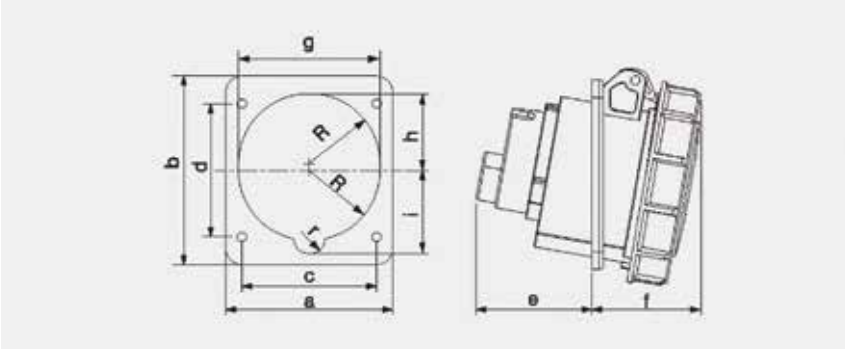
STR3151 16A 5P 6H
STR3251 32A 5P 6H

| AMPER | POLES | 3 p | 4 p | 5 p | 3 p | 4 p | 5 p | 3 p | 4 p | 5 p | 3 p | 4 p | 5 p | 3 p | 4 p | 5 p | |
|-------|-------|-----|-----|-----|-----|-----|-----|-----|-----|-----|-----|-----|-----|------|------|------|-----|
| | | 4 h | 4 h | 4 h | 6 h | 9 h | 9 h | 9 h | 6 h | 6 h | 7 h | 7 h | 7 h | 10 h | 10 h | 10 h | 2 h |

IP67 Flanged/Panel Sockets

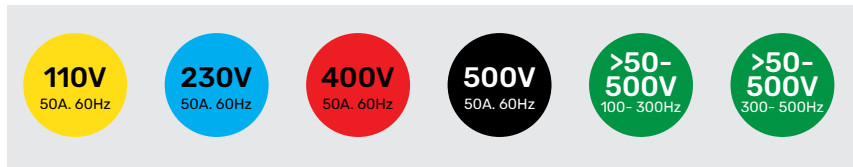
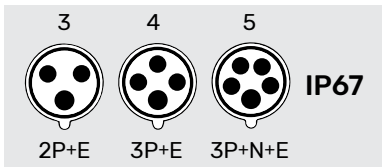
| | | | | | | | |
|------|---|-----------|-----------|-----------|-----------|------------|-----------|
| 16 A | 3 | STR3131-4 | STR3131 | STR3131-9 | STR3131-7 | STR3131-10 | STR3131-2 |
| | 4 | STR3141-4 | STR3141-9 | STR3141 | STR3141-7 | STR3141-10 | STR3141-2 |
| | 5 | STR3151-4 | STR3151-9 | STR3151 | STR3151-7 | STR3151-10 | STR3151-2 |
| 32 A | 3 | STR3231-4 | STR3231 | STR3231-9 | STR3231-7 | STR3231-10 | STR3231-2 |
| | 4 | STR3241-4 | STR3241-9 | STR3241 | STR3241-7 | STR3241-10 | STR3241-2 |
| | 5 | STR3251-4 | STR3251-9 | STR3251 | STR3251-7 | STR3251-10 | STR3251-2 |

Dimension



| Current | 16A | | | 32A | | |
|------------------------------|-------|------|------|--------|------|------|
| Pole | 3 | 4 | 5 | 3 | 4 | 5 |
| a | 75.5 | 75.5 | 75.5 | 75.5 | 75.5 | 80 |
| b | 86.5 | 86.5 | 86.5 | 86.5 | 86.5 | 90 |
| c | 61 | 61 | 61 | 61 | 61 | 65 |
| d | 61 | 61 | 61 | 61 | 61 | 70 |
| e | 41 | 41.5 | 40 | 52.5 | 52.5 | 51.5 |
| f | 45 | 46 | 48 | 49.5 | 49.5 | 52.5 |
| g | 64 | 64 | 64 | 64 | 64 | 70 |
| h | 35 | 35 | 35 | 35 | 35 | 37.5 |
| l | 38 | 38 | 38 | 38 | 38 | 40.5 |
| R | 32 | 32 | 32 | 32 | 32 | 35 |
| r | 7 | 7 | 7 | 7 | 7 | 7 |
| Cable size(mm ²) | 1.5-4 | | | 2.5-10 | | |

FLANGED/PANEL SOCKETS



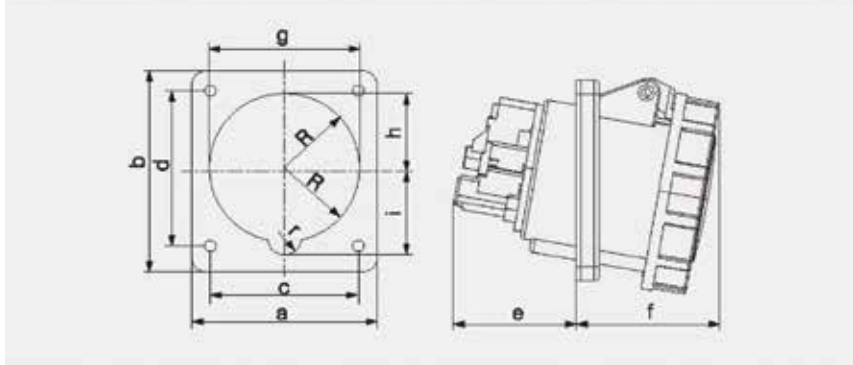
STR3331 63A 3P 6H
STR3431 125A 3P 6H

| AMPER | POLES | 3 p | 4 p | 5 p | 3 p | 4 p | 5 p | 3 p | 4 p | 5 p | 3 p | 4 p | 5 p | 3 p | 4 p | 5 p | |
|-------|-------|-----|-----|-----|-----|-----|-----|-----|-----|-----|-----|-----|-----|------|------|------|-----|
| | | 4 h | 4 h | 4 h | 6 h | 9 h | 9 h | 9 h | 6 h | 6 h | 7 h | 7 h | 7 h | 10 h | 10 h | 10 h | 2 h |

IP67 Flanged/Panel Sockets

| | | | | | | | |
|----------|---|-----------|-----------|-----------|-----------|------------|-----------|
| 63 A | 3 | STR3331-4 | STR3331 | STR3331-9 | STR3331-7 | STR3331-10 | STR3331-2 |
| | 4 | STR3341-4 | STR3341-9 | STR3341 | STR3341-7 | STR3341-10 | STR3341-2 |
| | 5 | STR3351-4 | STR3351-9 | STR3351 | STR3351-7 | STR3351-10 | STR3351-2 |
| 125 A | 3 | STR3431-4 | STR3431 | STR3431-9 | STR3431-7 | STR3431-10 | STR3431-2 |
| | 4 | STR3441-4 | STR3441-9 | STR3441 | STR3441-7 | STR3441-10 | STR3441-2 |
| | 5 | STR3451-4 | STR3451-9 | STR3451 | STR3451-7 | STR3451-10 | STR3451-2 |

Dimension

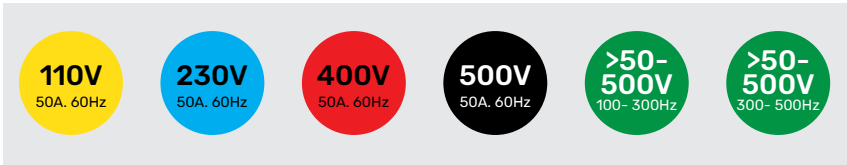
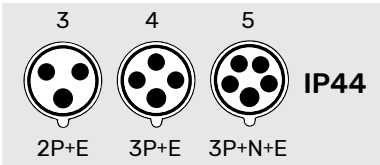


STR3341 63A 4P 6H
STR3441 125A 4P 6H

STR3351 63A 5P 6H
STR3451 125A 5P 6H

| Current | 63A | | | 125A | | | |
|------------------------------|------|------|------|------|-------|------|------|
| | Pole | 3 | 4 | 5 | 3 | 4 | 5 |
| a | | 100 | 100 | 100 | 114 | 114 | 114 |
| b | | 110 | 110 | 110 | 114 | 114 | 114 |
| c | | 80 | 80 | 80 | 90 | 90 | 90 |
| d | | 85 | 85 | 85 | 90 | 90 | 90 |
| e | | 66.5 | 66.5 | 66.5 | 90.5 | 90.5 | 90.5 |
| f | | 77.5 | 77.5 | 77.5 | 80.5 | 80.5 | 80.5 |
| g | | 81 | 81 | 81 | 94 | 94 | 94 |
| h | | 42.5 | 42.5 | 42.5 | 47 | 47 | 47 |
| i | | 45.5 | 45.5 | 45.5 | 53 | 53 | 53 |
| j | | 14.2 | 14.2 | 14.2 | 13 | 13 | 13 |
| r | | 9 | 9 | 9 | 9 | 9 | 9 |
| R | | 40.5 | 40.5 | 40.5 | 47 | 47 | 47 |
| Cable size(mm ²) | | 6-25 | | | 25-70 | | |

FLANGED/PANEL SOCKETS

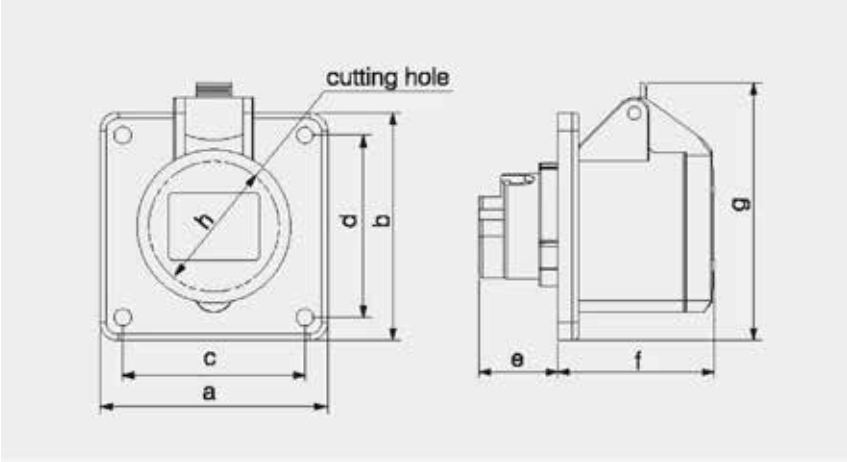


| AMPER | POLES | 3 p | 4 p | 5 p | 3 p | 4 p | 5 p | 3 p | 4 p | 5 p | 3 p | 4 p | 5 p | 3 p | 4 p | 5 p | |
|-------|-------|-----|-----|-----|-----|-----|-----|-----|-----|-----|-----|-----|-----|------|------|------|-----|
| | | 4 h | 4 h | 4 h | 6 h | 9 h | 9 h | 9 h | 6 h | 6 h | 7 h | 7 h | 7 h | 10 h | 10 h | 10 h | 2 h |

IP44 Flanged/Panel Sockets

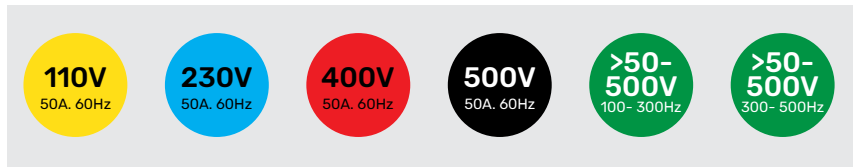
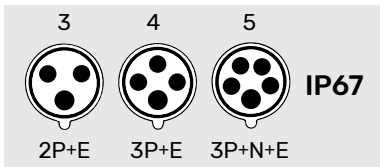
| | | | | | | | |
|------|---|----------|----------|----------|----------|-----------|----------|
| 16 A | 3 | STR413-4 | STR413 | STR413-9 | STR413-7 | STR413-10 | STR413-2 |
| | 4 | STR414-4 | STR414-9 | STR414 | STR414-7 | STR414-10 | STR414-2 |
| | 5 | STR415-4 | STR415-9 | STR415 | STR415-7 | STR415-10 | STR415-2 |
| 32 A | 3 | STR423-4 | STR423 | STR423-9 | STR423-7 | STR423-10 | STR423-2 |
| | 4 | STR424-4 | STR424-9 | STR424 | STR424-7 | STR424-10 | STR424-2 |
| | 5 | STR425-4 | STR425-9 | STR425 | STR425-7 | STR425-10 | STR425-2 |

Dimension



| Current | 16A | | | 32A | | |
|------------------------------|-------|------|------|--------|------|------|
| Pole | 3 | 4 | 5 | 3 | 4 | 5 |
| a*b | 75 | 75 | 75 | 75 | 75 | 75 |
| c*d | 60 | 60 | 60 | 60 | 60 | 60 |
| e | 25.8 | 26.3 | 26.2 | 29.2 | 29.4 | 29.8 |
| f | 52 | 51.5 | 52 | 62.5 | 51.5 | 62.5 |
| g | 85 | 86.5 | 91.6 | 93 | 86.5 | 100 |
| h | 43 | 49.5 | 56 | 57.5 | 57.5 | 64 |
| Cable size(mm ²) | 1.5-4 | | | 2.5-10 | | |

FLANGED/PANEL SOCKETS



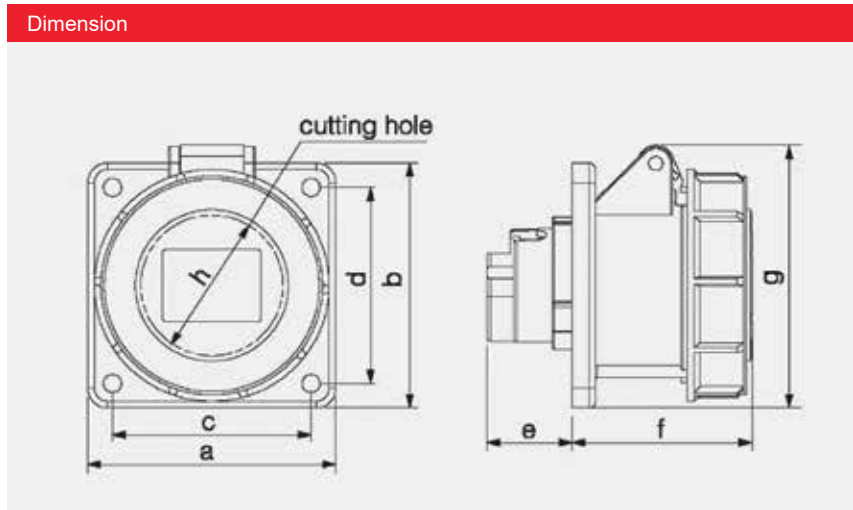
STR4131-4 16A 3P 4H
STR4231-4 32A 3P 4H

| AMPER | POLES | 3p | 4p | 5p | 3p | 4p | 5p | 3p | 4p | 5p | 3p | 4p | 5p | 3p | 4p | 5p | |
|-------|-------|----|----|----|----|----|----|----|----|----|----|----|----|-----|-----|-----|----|
| | | 4h | 4h | 4h | 6h | 9h | 9h | 9h | 6h | 6h | 7h | 7h | 7h | 10h | 10h | 10h | 2h |

IP 67 Flanged/Panel Sockets

| | | | | | | | |
|---------|---|-----------|-----------|-----------|-----------|------------|-----------|
| 16 A | 3 | STR4131-4 | STR4131 | STR4131-9 | STR4131-7 | STR4131-10 | STR4131-2 |
| | 4 | STR4141-4 | STR4141-9 | STR4141 | STR4141-7 | STR4141-10 | STR4141-2 |
| | 5 | STR4151-4 | STR4151-9 | STR4151 | STR4151-7 | STR4151-10 | STR4151-2 |
| 32 A | 3 | STR4231-4 | STR4231 | STR4231-9 | STR4231-7 | STR4231-10 | STR4231-2 |
| | 4 | STR4241-4 | STR4241-9 | STR4241 | STR4241-7 | STR4241-10 | STR4241-2 |
| | 5 | STR4251-4 | STR4251-9 | STR4251 | STR4251-7 | STR4251-10 | STR4251-2 |

STR4131 16A 3P 6H
STR4231 32A 3P 6H

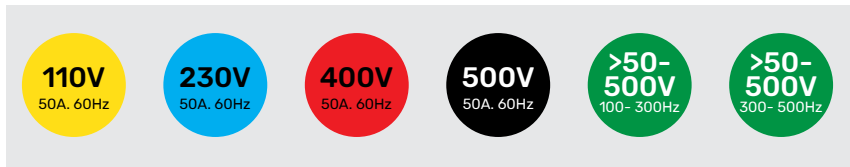
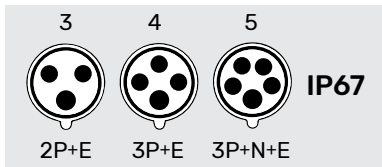


STR4141 16A 4P 6H
STR4241 32A 4P 6H

STR4151 16A 5P 6H
STR4251 32A 5P 6H

| Current | 16A | | | 32A | | |
|------------------------------|-------|------|------|--------|------|-------|
| | Pole | 3 | 4 | 5 | 3 | 4 |
| a*b | 75 | 75 | 75 | 75 | 75 | 75 |
| c*d | 60 | 60 | 60 | 60 | 60 | 60 |
| e | 25.8 | 26.3 | 26.2 | 29.2 | 29.2 | 29.8 |
| f | 54.5 | 54.5 | 54.5 | 64.5 | 64.5 | 65.5 |
| g | 80.5 | 85 | 93 | 97.5 | 97.5 | 103.5 |
| h | 43 | 49.5 | 56 | 57.5 | 57.5 | 64 |
| Cable size(mm ²) | 1.5-4 | | | 2.5-10 | | |

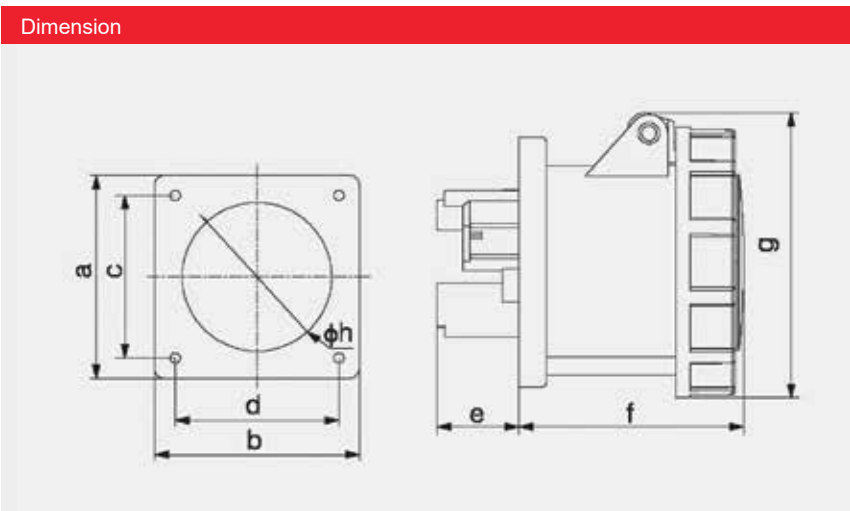
FLANGED/PANEL SOCKETS



| AMPER | POLES | 3 p | 4 p | 5 p | 3 p | 4 p | 5 p | 3 p | 4 p | 5 p | 3 p | 4 p | 5 p | 3 p | 4 p | 5 p | |
|-------|-------|-----|-----|-----|-----|-----|-----|-----|-----|-----|-----|-----|-----|------|------|------|-----|
| | | 4 h | 4 h | 4 h | 6 h | 9 h | 9 h | 9 h | 6 h | 6 h | 7 h | 7 h | 7 h | 10 h | 10 h | 10 h | 2 h |

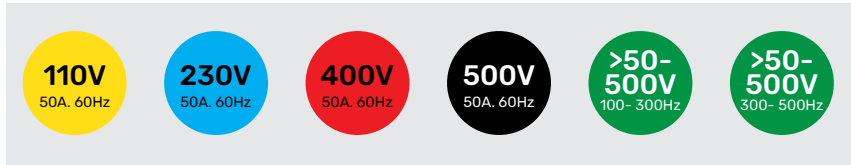
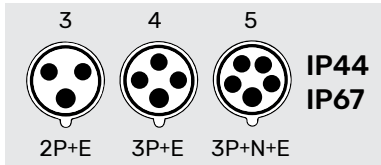
IP67 Flanged/Panel Sockets

| | | | | | | | |
|----------|---|-----------|-----------|-----------|-----------|------------|-----------|
| 63 A | 3 | STR4331-4 | STR4331 | STR4331-9 | STR4331-7 | STR4331-10 | STR4331-2 |
| | 4 | STR4341-4 | STR4341-9 | STR4341 | STR4341-7 | STR4341-10 | STR4341-2 |
| | 5 | STR4351-4 | STR4351-9 | STR4351 | STR4351-7 | STR4351-10 | STR4351-2 |
| 125 A | 3 | STR4431-4 | STR4431 | STR4431-9 | STR4431-7 | STR4431-10 | STR4431-2 |
| | 4 | STR4441-4 | STR4441-9 | STR4441 | STR4441-7 | STR4441-10 | STR4441-2 |
| | 5 | STR4451-4 | STR4451-9 | STR4451 | STR4451-7 | STR4451-10 | STR4451-2 |



| Current | 63A | | | 125A | | |
|------------------------------|-------|-------|-------|-------|-------|-------|
| | Pole | 3 | 4 | 5 | 3 | 4 |
| a*b | 100 | 100 | 100 | 120 | 120 | 120 |
| c*d | 80 | 80 | 80 | 100 | 100 | 100 |
| e | 39 | 39 | 39 | 58 | 58 | 58 |
| f | 94.5 | 94.5 | 94.5 | 105.5 | 105.5 | 105.5 |
| g | 114.5 | 114.5 | 114.5 | 129 | 129 | 129 |
| h | 73 | 73 | 73 | 87 | 87 | 87 |
| Cable size(mm ²) | 6-25 | | | 25-70 | | |

FLANGED INLETS



STR614-9 16A 4P 9H
STR624-9 32A 4P 9H

STR615 16A 5P 6H
STR625 32A 5P 6H

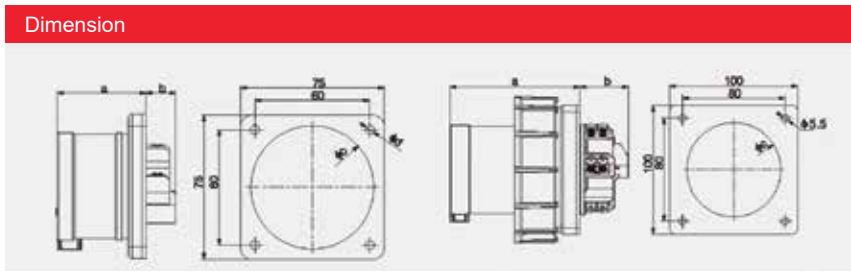
STR6331 63A 3P 6H

STR6351 63A 5P 6H
STR6451 125A 5P 6H

| AMPER | POLES | 3 p | 4 p | 5 p | 3 p | 4 p | 5 p | 3 p | 4 p | 5 p | 3 p | 4 p | 5 p | 3 p | 4 p | 5 p | |
|-------|-------|-----|-----|-----|-----|-----|-----|-----|-----|-----|-----|-----|-----|------|------|------|-----|
| | | 4 h | 4 h | 4 h | 6 h | 9 h | 9 h | 9 h | 6 h | 6 h | 7 h | 7 h | 7 h | 10 h | 10 h | 10 h | 2 h |

| IP44 Flanged Inlets | | | | | | | |
|---------------------|---|----------|----------|----------|----------|-----------|----------|
| 16 A | 3 | STR613-4 | STR613 | STR613-9 | STR613-7 | STR613-10 | STR613-2 |
| | 4 | STR614-4 | STR614-9 | STR614 | STR614-7 | STR614-10 | STR614-2 |
| | 5 | STR615-4 | STR615-9 | STR615 | STR615-7 | STR615-10 | STR615-2 |
| 32 A | 3 | STR623-4 | STR623 | STR623-9 | STR623-7 | STR623-10 | STR623-2 |
| | 4 | STR624-4 | STR624-9 | STR624 | STR624-7 | STR624-10 | STR624-2 |
| | 5 | STR625-4 | STR625-9 | STR625 | STR625-7 | STR625-10 | STR625-2 |

| IP67 Flanged Inlets | | | | | | | |
|---------------------|---|-----------|-----------|-----------|-----------|------------|-----------|
| 63A | 3 | STR6331-4 | STR6331 | STR6331-9 | STR6331-7 | STR6331-10 | STR6331-2 |
| 63A | 4 | STR6341-4 | STR6341-9 | STR6341 | STR6341-7 | STR6341-10 | STR6341-2 |
| 63A | 5 | STR6351-4 | STR6351-9 | STR6351 | STR6351-7 | STR6351-10 | STR6351-2 |
| 63A | 5 | STR6451-4 | STR6451-9 | STR6451 | STR6451-7 | STR6451-10 | STR6451-2 |



| Current | 16A | | | 32A | | | |
|---------|------|------|------|------|------|------|------|
| | Pole | 3 | 4 | 5 | 3 | 4 | 5 |
| a | | 45.5 | 45.5 | 46 | 54.7 | 55 | 55 |
| b | | 16.5 | 16.5 | 15.6 | 17 | 16.5 | 16.5 |
| c | | 64 | 64 | 64 | 64 | 64 | 64 |
| d | | 4.5 | 4.5 | 4.5 | 4.5 | 4.5 | 4.5 |

| Current | 63A | | | 125A | | | |
|------------------------------|------|------|-----|------|-------|------|------|
| | Pole | 3 | 4 | 5 | 3 | 4 | 5 |
| a | | 101 | 101 | 101 | 131 | 131 | 131 |
| b | | 38 | 38 | 38 | 57.5 | 57.5 | 57.5 |
| c | | 73 | 73 | 73 | 73 | 73 | 73 |
| Cable size(mm ²) | | 6-25 | | | 25-70 | | |