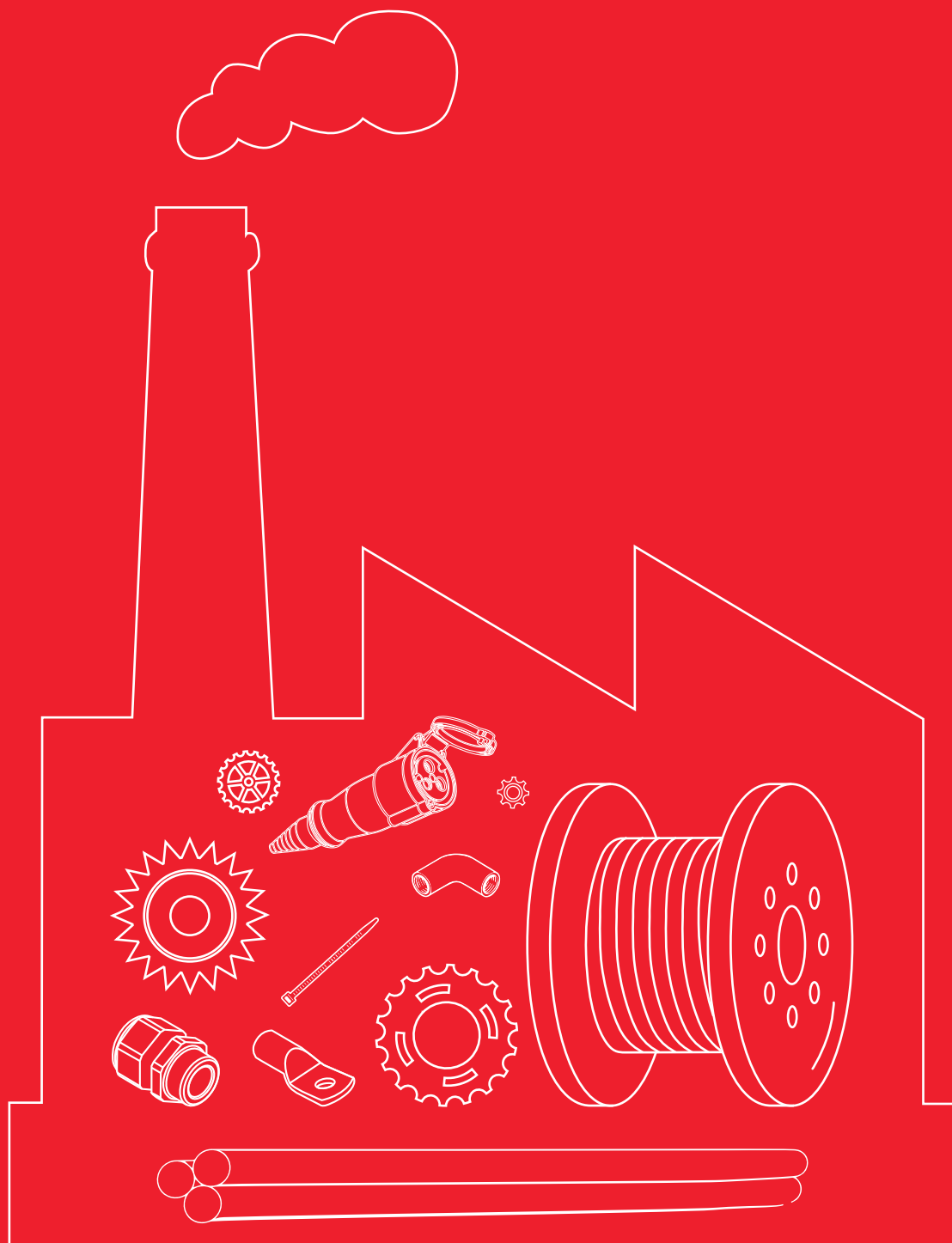


TOPEX



INDUSTRIAL PRODUCT CATALOGUE

Lemax | **TOPEX**
Xtrem | **STECKER** | **SECURE**

About us



TOPEX

Topex is one of the fast - growing global brands, which brings a bouquet of world class consumer and industrial electrical products from the house of Topex Electric Industries. The brand enjoys a wide electrical product portfolio that encompasses Lighting, Wiring Accessories and Fans. The Industrial product range includes Cables Lugs & Glands, GI Conduits & Accessories, Rubber Cable, Flexible Cable, Panel Wires and Industrial Plugs & Sockets.

Our passion for innovation and excellence makes Topex an outstanding and award winning brand for over a decade. Topex is committed to provide high class reliable, futuristic and affordable electrical products that are a result of continuous research, and provide energy efficient solutions, that maintained high standards in terms of product quality and safety in pursuit to energize the future.

CONTENTS

Lemax

07	Copper Crimping Lugs
11	Copper In-Line Connectors : (Ferrule)
13	Cable Gland Kits & Accessories
23	Earthing Products
29	Lemax Conduit & Fittings
35	GI Flexible Conduits



40	Rubber Cable
47	Multi Core Flexible PVC Insulated
48	Multi Core Flexible HR PVC Insulated
51	Heat Resistant PVC Insulated
53	Control Cable

STECKER

63	Industrial Plugs
67	Mobile Sockets
71	Wall Sockets
77	Flanged/Panel Sockets
85	Wall Sockets-Combo
89	Switched & Interlocked Sockets
93	Multiple Outlet Sockets
101	Distribution Boxes Series

SECURE

109	Nylon Cable Ties
111	PG Glands
113	Terminal Blocks
113	Bending & Pulling Spring
114	Tie Mount
114	Wire Clips
114	Spiral Wrapping Band
115	Heat Shrinkable Sleeves



Energising the Future



Industrial Products

TOPEX

Lemax

ABOUT

Lemax

Lemax a series from the house of Topex, has the following product categories to offer:

- Copper Tube Crimping Lugs & Connectors
- Industrial Cable Glands
- Earthing Products
- HDG Conduits & Fittings
- GI Flexible Conduits

Lemax products are manufactured in the state-of- the-art manufacturing facility, providing unsurpassed quality of products.

Lemax, strives for the improvisation and effectiveness of quality management system, providing a 360 degree customer satisfaction.

Table of Contents

07	Copper Crimping Lugs
11	Copper In-Line Connectors : (Ferrule)
13	Cable Gland Kits & Accessories
23	Earthing Products
29	Lemax Conduit & Fittings
35	GI Flexible Conduits

| Copper Tube Crimping Lugs



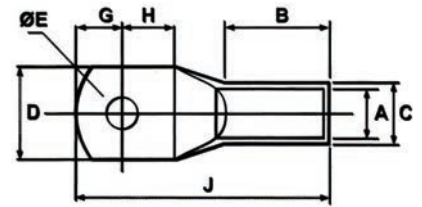
COPPER TUBE CRIMPING LUGS

Standard : BS 4579/IEC-61238-1:2003

Material : Electrolytic High Conductivity Copper

Finish : Electro Tinned

Features : With or Without Inspection Hole



Lemax Series are manufactured from electrolytic copper tube. The dimensions of the tube are designed to obtain the most efficient electrical conductivity and mechanical strength to resist vibration and pull out.

Lemax Lugs are electrolytically tin plated to avoid oxidation and it meets the highest quality requirements and complies with BS standards.

Lemax lugs are annealed to guarantee optimum ductility which is an absolute necessity for connectors which will have to withstand the severe deformation arising when compressed and any bending of the palm during installation.

In application subject to vibration, lugs still have to provide a reliable connection and annealing plays a vital role in avoiding cracking or breaks between the barrel and palm.

The presence of an inspection hole facilitates full insertion of the conductor, whilst the barrel length has been designed to allow easy and accurate positioning of the dies during the crimping operation.

Product Ref.	Stud Hole E	Conductor Size mm ²	Dimensions mm					
			A	C	D	G + H	B	J
LMCL 1:5:4	4.2	1.5	1.8	3.7	8	6	9	17
LMCL 1:5:5	5.2				8	6	9	17
LMCL 1:5:6	6.4				10	6	10	19
LMCL 2:5:4	4.2	2.5	2.4	4.0	8	8	9	19
LMCL 2:5:5	5.2				10	8	9	19
LMCL 2:5:6	6.2				10	8	11	21
LMCL 4:4	4.2	4	3.1	4.8	10	8	11	21
LMCL 4:5	5.2				10	8	11	21
LMCL 4:6	6.2				10	8	11	21
LMCL 6:5	5.2	6	3.8	5.5	10	10	11	24
LMCL 6:6	6.2				10	10	11	24
LMCL 6:8	8.5				12	10	12	28
LMCL 10:6	6.5	10	4.5	6.2	11	10	13	26
LMCL 10:8	8.5				12	10	15	28
LMCL 10:10	10.5				15	11	19	33
LMCL 16:6	6.5	16	5.4	7.1	12	12	14	31
LMCL 16:8	8.5				12	12	14	31
LMCL 16:10	10.5				15	12	20	36
LMCL 25:6	6.5	25	6.8	8.8	13	12	14	30
LMCL 25:8	8.5				13	12	14	30
LMCL 25:10	10.5				15	13	21	38
LMCL 35:6	6.2	35	8.2	10.6	16	14	18	38
LMCL 35:8	8.5				16	14	18	38
LMCL 35:10	10.5				16	14	18	38
LMCL 50:8	8.5	50	9.5	12.4	18	17	19	42
LMCL 50:10	10.5				18	17	19	42
LMCL 50:12	13.0				20	17	22	45
LMCL 70:8	8.5	70	11.3	14.6	21	19	22	47
LMCL 70:10	10.5				21	19	22	47
LMCL 70:12	13.0				21	19	22	47
LMCL 70:14	14.5				22	19	28	54

(All Dimensions in mm)

COPPER TUBE CRIMPING LUGS

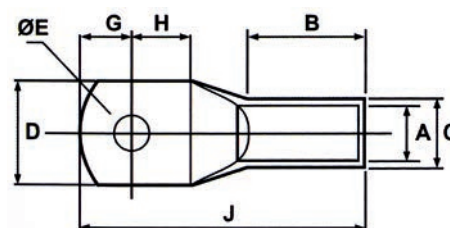
Standard : BS 4579/IEC-61238-1:2003

Material : Electrolytic High Conductivity Copper

Finish : Electro Tinned

Features : With or Without Inspection Hole

Product Ref.	Stud Hole E	Conductor Size mm ²	Dimensions mm					
			A	C	D	G+H	B	J
LMCL 95: 10	10.5	95	13.5	17.4	25	25	21	53
LMCL 95: 12	13.0				25	27	21	53
LMCL 95: 14	14.5				25	29	22	55
LMCL 120: 10	10.5	120	15	19.4	28	27	23	60
LMCL 120: 12	13				28	27	23	60
LMCL 120: 14	14.5				28	27	23	60
LMCL 120: 16	17.0				28	32	23	64
LMCL 150: 10	10.5	150	16.5	21.2	30	32	27	70
LMCL 150: 12	13				30	32	27	70
LMCL 150: 14	14.5				30	32	27	70
LMCL 150: 16	17.0				30	32	27	70
LMCL 185: 10	10.5	185	18.5	23.5	34	36	32	80
LMCL 185: 12	13				34	36	32	80
LMCL 185: 14	14.5				34	36	32	80
LMCL 185: 16	17				34	36	32	80
LMCL 240: 12	13	240	21.0	26.5	38	40	37	94
LMCL 240: 14	14.5				38	40	37	94
LMCL 240: 16	17				38	40	37	94
LMCL 240: B	-				38	40	37	94
LMCL 300: 12	13	300	23.5	30.0	43	44	42	101
LMCL 300: 14	14.5				43	44	42	101
LMCL 300: 16	17				43	44	42	101
LMCL 300: 20	21				43	44	42	101
LMCL 400: 13	14.5	400	28.5	36.5	52.5	52	44	114
LMCL 400: 14	17				52.5	52	44	114
LMCL 400: 16	21				52.5	52	44	114
LMCL 400: B	-				52.5	52	44	114
LMCL 500: 14	14.5	500	30.0	39.0	56	56	48	129
LMCL 500-16	17				56	56	48	129
LMCL 500-20	21				56	56	48	129
LMCL 500-B	-				56	66	58	148
LMCL 630: 16	17	630	35.0	45.0	64	66	58	148
LMCL 630: 20	21				64	66	58	148
LMCL 630: B	-				64	66	58	148
LMCL 630: 16	17	630-light	35.0	41.5	61	56	70	144
LMCL 630: 20	21				61	56	70	144
LMCL 630: B	--				61	56	70	144
LMCL 800: 16	17	800	39.0	50.6	72	..	78	170
LMCL 800: 20	21				72	..	90	170
LMCL 800:B	--				72	170
LMCL 1000:B	--	1000	43.0	56.2	78.5	200
LMCL 1200-B	--	1200	47.0	61.0	85	230

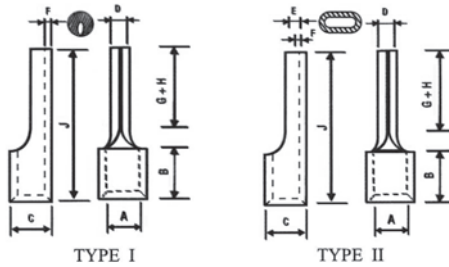


(All Dimensions in mm)

UNINSULATED PIN CONNECTORS

Material : Electrolytic High Conductivity-Copper

Finish : Electro Tinned Plated



Lemax series pin connectors are designed to terminate conductors to contact blocks and its manufactured from Tin plated copper strips.

Product Ref.	Size mm ²	Dimensions mm							TYPE
		A	C	D	F	B	G+H	J	
LMCTL-1.5	1.5	1.6	3.2	1.9	0.8	5	10	17	I
LMCTL-2.5	2.5	2.3	3.9	1.9	0.8	5	10	17	I
LMCTL-4	4	2.9	4.9	2.7	1	6	10	20	I
LMCTL-6	6	3.6	5.6	2.7	1	6	10	20	I
LMCTL-6	6	4	6	2.7	1	6	10	20	I
LMCTL-10	10	4.5	6.7	4.3	1.1	8	12	22	II
LMCTL-16	16	5.8	8.2	5.5	1.2	10	13	26	II
LMCTL-25	25	7.5	11.1	7.2	1.8	11	15	33	II
LMCTL-35	35	9	12.6	8.2	1.8	12	15	33	II
LMCTL-50	50	10.5	14.1	9	1.8	16	17	41	II
LMCTL-70	70	12	16	10	2	16	16	46	II
LMCTL-95	95	13.5	18.1	10	2.3	20	20	51	II

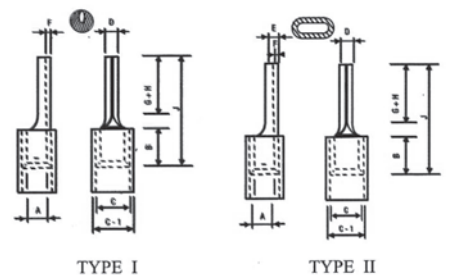
INSULATED PIN TYPE TERMINALS

Colour Coding of Insulation Sleeve

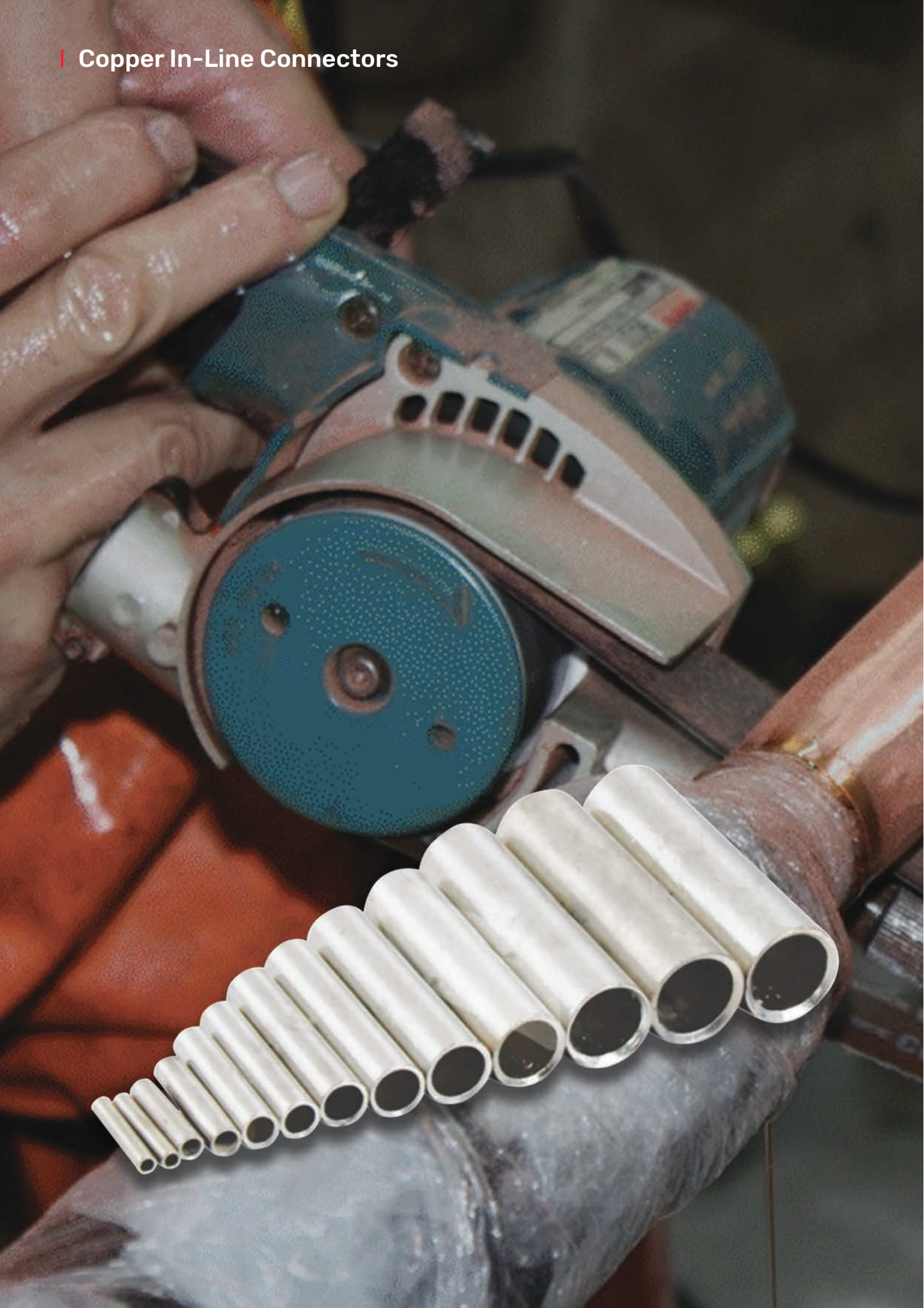
1.5 - RED, 2.5 - BLUE, 4 - 6 - YEL

Product Ref.	Size mm ²	Dimensions mm									TYPE
		A	C	D	F	B	G+H	J	C1	J1	
LMPTL-1.5	1.5	1.6	3.2	1.9	0.8	5	10	17	4.8	10	I
LMPTL-2.5	2.5	2.3	3.9	1.9	0.8	5	10	17	5.5	10	I
LMPTL-4	4	2.9	4.9	2.7	1	6	10	20	7.1	14	I
LMPTL-6	6	3.6	5.6	2.7	1	6	10	20	7.1	14	I
LMPTL-6	6	4	6	2.7	1	6	10	20	7.9	14	I
LMPTL-10	10	4.5	6.7	4.3	1.1	8	12	22	7.9	16	II
LMPTL-16	16	5.8	8.2	5.5	1.2	10	13	26	10	20	II

(All Dimensions in mm)



| Copper In-Line Connectors



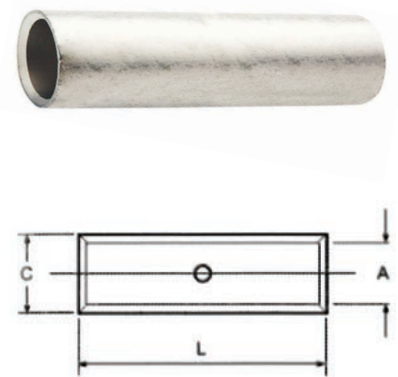
COPPER IN-LINE CONNECTORS : (LONG BARREL)

Material : Electrolytic High Conductivity-Copper

Finish : Electro Tinned Plated

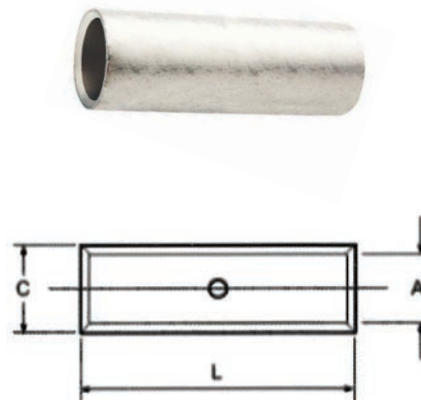
Lemax Series of connectors are designed for jointing low voltage conductors and its made from Tinned copper tube.

Product Ref.	Size mm ²	Dimensions mm		
		A	C	L
LMCCF-1.5	1.5	1.8	3.7	22
LMCCF-2.5	2.5	2.4	4	22
LMCCF-4	4	3.1	4.8	22
LMCCF-6	6	3.8	5.5	22
LMCCF-10	10	4.5	6.2	22
LMCCF-16	16	5.4	7.1	44
LMCCF-25	25	6.8	8.8	47
LMCCF-35	35	8.2	10.6	47
LMCCF-50	50	9.5	12.4	47
LMCCF-70	70	11.3	14.6	50
LMCCF-95	95	13.5	17.4	54
LMCCF-120	120	15	19.4	65
LMCCF-150	150	16.5	21.2	65
LMCCF-185	185	18.5	23.5	65
LMCCF-240	240	21	26.5	89
LMCCF-300	300	23.5	30	89
LMCCF-400	400	28.5	36.5	90
LMCCF-500	500	30	39	115
LMCCF-630	630	35	45	115
LMCCF-800	800	39	50.6	230
LMCCF-1000	1000	43	56.2	230



COPPER IN-LINE CONNECTORS : (SHORT BARREL)

Product Ref.	Size mm ²	Dimensions mm		
		A	C	L
LMCCFS-1.5	1.5	1.8	3.7	12
LMCCFS-2.5	2.5	2.4	4	15
LMCCFS-4	4	3.1	4.8	15
LMCCFS-6	6	3.8	5.5	15
LMCCFS-10	10	4.5	6.2	20
LMCCFS-16	16	5.4	7.1	20
LMCCFS-20	20	6.3	7.7	22
LMCCFS-25	25	6.8	8.8	32
LMCCFS-35	35	8.2	10.6	36
LMCCFS-50	50	9.5	12.4	40
LMCCFS-70	70	11.3	14.6	45
LMCCFS-95	95	13.5	17.4	45
LMCCFS-120	120	15	19.4	50
LMCCFS-150	150	16.5	21.2	55
LMCCFS-185	185	18.5	23.5	60
LMCCFS-240	240	21	26.5	80
LMCCFS-300	300	23.5	30	85
LMCCFS-400	400	28.5	36.5	85
LMCCFS-500	500	30	39	100
LMCCFS-630	630	35	45	110
LMCCFS-800	800	39	50.6	150
LMCCFS-1000	1000	43	56.2	170



(All Dimensions in mm)



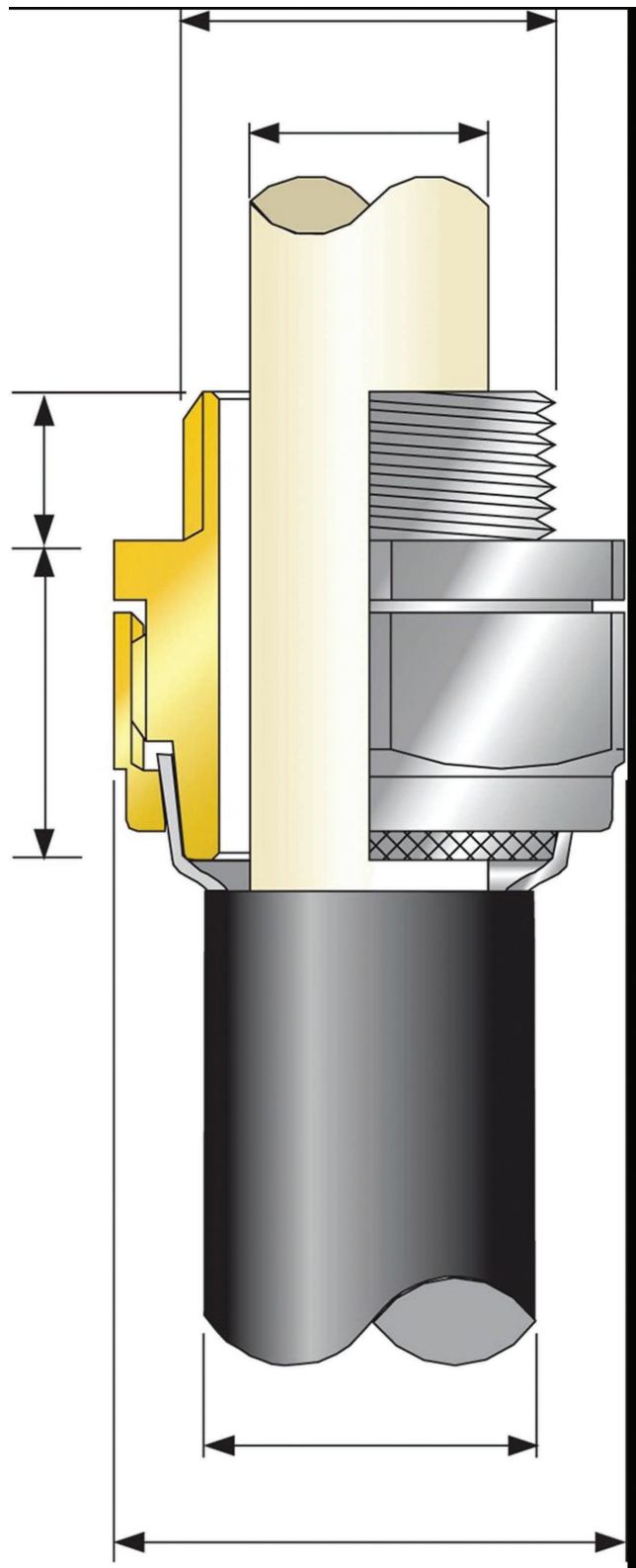
CABLE GLAND KITS & ACCESSORIES

Lemax Cable Glands are mechanical cable entry devices that attach and secure the end of a cable to an enclosure or directly into equipment providing for mechanical support, earth continuity and protection against the ingress of dust and moisture. Additionally, in hazardous areas they prevent the migration of gases, control and contain any potential explosions.

When installing fire resistant and Low Smoke Zero Halogen (LSOH) cables it is important that the accessories used meet the same performance requirements as the cable. Thus the accessory does not impact on the system performance as a whole in the event of a fire. Lemax glands can offer specific glanding solutions. Look out for the FP, Afumex, FT and Saffire logos in the catalogue which highlight these.

Lemax Glands are manufactured in either aluminium, brass or nylon as standard. In the event, that the installation requires electrolysed nickel plated brass stainless steel these can also be supplied

Lemax Glands comply with international standards BS6121.


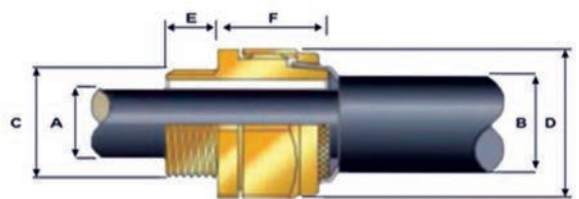


BW GLAND KIT

Indoor Cable Gland

Kit Comprises:

- BW Gland
- Brass Earth Tag
- Brass Locknut
- PVC Shroud

Brass indoor cable glands for use with all types of steel wire armoured cables inc BS 5467, BS 6622, BS 5308 for use in dry, indoor situations Recommended to use PVC shroud for additional ingress protection.

- Type** : BW
- Gland Material** : Brass
- Design Specification** : BS 6121 : PART 1: 1989
- Cable Type** : SWA/PVC
- Armour Clamping** : Two Part (Armour Lock)
- Entry Thread** : Metric/Imperial (ET)
- Finish** : Natural Brass

Cat #	Gland Ref. Entry Thread Dia & Length			Cable Dimensions		Armour Wire	Dia across flat F /F-max.
	BW	DIA 'C'	L	Dia 'A'	Dia 'B'		
LMCG 20S	20S	20	10	12.3	16.0	0.9/1.25	21.0
LMCG 20L	20L	20	10	14.2	20.0	0.9/1.25	23.5
LMCG 25S	25S	25	10	18.0	23.8	1.25/1.6	31.0
LMCG 25L	25L	25	10	20.4	26.8	1.25/1.6	33.5
LMCG 32S	32S	32	15	26.5	33.2	1.6/2.0	40.1
LMCG 32L	32L	32	15	26.5	33.3	1.6/2.0	40.2
LMCG 40S	40S	40	15	32.5	40.9	1.6/2.0	50.4
LMCG 40L	40L	40	15	32.5	40.8	1.6/2.0	50.5
LMCG 50S	50S	50	15	38.5	47.0	2.0/2.5	56.7
LMCG 50L	50L	50	15	44.4	52.8	2.0/2.5	62.7
LMCG 63S	63S	63	15	50.5	60.2	2.0/2.5	70.0
LMCG 63L	63L	63	15	56.4	65.4	2.5	76.3
LMCG 75S	75S	75	15	62.2	72.0	2.5	88.0
LMCG 75L	75L	75	15	68.0	78.0	2.5	92.6
LMCG 90S	90	90	15	78.0	89.0	3.0	106.0


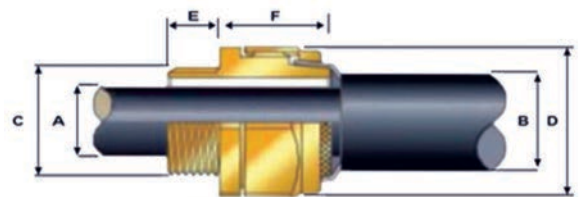
(All Dimensions in mm)

BW LSOH GLAND KIT

Indoor Cable Gland

Kit Comprises:

- BW Gland
- Brass Earth Tag
- Brass Locknut
- LSOH Shroud

Brass indoor cable glands for use with all types of LSOH steel wire armoured cables inc BS 5467, BS 6724, BS 7655, BS 8519, BS 6387, BS 7835 for use in dry, indoor situations. Recommended to use LSOH shroud for additional ingress protection.

- Type** : BW
- Gland Material** : Brass
- Design Specification** : BS 6121 : Part 1: 1989
- Cable Type** : SWA / LSOH
- Armour Clamping** : Four Part (Armour Lock)
- Entry Thread** : Metric/Imperial (ET)
- Finish** : Natural Brass

Cat #	Gland Ref. Entry Thread Dia & Length			Cable Dimensions		Armour Wire	Dia across flat F F/F-max.
	BW	DIA 'C'	L	Dia 'A'	Dia 'B'		
LMCG 20S	20S	20	10	12.3	16.0	0.9/1.25	21.0
LMCG 20L	20L	20	10	14.2	20.0	0.9/1.25	23.5
LMCG 25S	25S	25	10	18.0	23.8	1.25/1.6	31.0
LMCG 25L	25L	25	10	20.4	26.8	1.25/1.6	33.5
LMCG 32S	32S	32	15	26.5	33.2	1.6/2.0	40.1
LMCG 32L	32L	32	15	26.5	33.3	1.6/2.0	40.2
LMCG 40S	40S	40	15	32.5	40.9	1.6/2.0	50.4
LMCG 40L	40L	40	15	32.5	40.8	1.6/2.0	50.5
LMCG 50S	50S	50	15	38.5	47.0	2.0/2.5	56.7
LMCG 50L	50L	50	15	44.4	52.8	2.0/2.5	62.7
LMCG 63S	63S	63	15	50.5	60.2	2.0/2.5	70.0
LMCG 63L	63L	63	15	56.4	65.4	2.5	76.3
LMCG 75S	75S	75	15	62.2	72.0	2.5	88.0
LMCG 75L	75L	75	15	68.0	78.0	2.5	92.6
LMCG 90S	90S	90	15	78.0	89.0	3.0	106.0


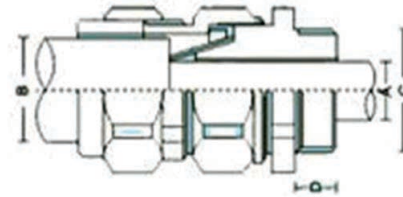
(All Dimensions in mm)

CW GLAND KIT

Indoor / Outdoor Cable Gland

Kit Comprises:

- CW Gland
- Brass Earth Tag
- Brass Locknut
- PVC Shroud

- Type** : CW
- Gland Material** : Brass
- Design Specification** : Bs 6121 : Part 1: 1989
- Cable Type** : SWA/PVC
- Armour Clamping** : Knurling/Lock Ring
- Entry Thread** : Metric/Imperial (ET)
- Finish** : Natural Brass/Nickel Plated

Brass indoor and outdoor glands popularly used with all steel wire armoured cables. Terminates & secure cable armour along with outer sheath of the cable thus ensuring complete mechanical strength and earth continuity. Recommended to use pvc shroud for additional ingress protection.

Cat #	Gland Size	Cable Dimensions			Cable Dimensions				
		Under Armour Dia Max	Overall Dia Max	Armour Wire Dia	Dia 'A'	Dia 'B'	Metric Entry Thread 'C'	Minimum Thread Length 'D'	Across Flat 'F' Max
LMCG 20S	20S	11.6	15.8	0.9/1.25	12.3	17.0	20	10	24.0
LMCG 20L	20L	13.9	19.5	0.9/1.25	14.3	20.3	20	10	27.17
LMCG 25S	25S	19.9	26.0	1.25/1.6	20.8	26.9	25	10	34.3
LMCG 25L	25L	20.0	26.1	1.25/1.6	21.0	27.0	25	10	34.5
LMCG 32S	32S	25.2	33.5	1.6/2.0	26.9	34.1	32	10	42.9
LMCG 32L	32L	25.4	34.0	1.6/2.0	27.0	34.3	32	10	43.0
LMCG 40S	40S	32.1	39.9	1.6/2.0	32.5	41.8	40	15	50.8
LMCG 40L	40L	32.3	40.0	1.6/2.0	32.7	42.0	40	15	51.0
LMCG 50S	50S	39.5	49.0	2.0/2.5	40.9	50.2	50	15	61.7
LMCG 50L	50L	43.2	51.0	2.0/2.5	44.4	52.8	50	15	63.75
LMCG 63S	63S	50.6	58.9	2.0/2.5	51.8	61.9	63	15	73.9
LMCG 63L	63L	55.9	65.3	2.5	56.4	66.5	63	15	78.5
LMCG 75S	75S	61.9	71.6	2.5	63.2	74.2	75	20	90.0
LMCG 75L	75L	67.9	78.0	2.5	68.6	78.5	75	20	96.0


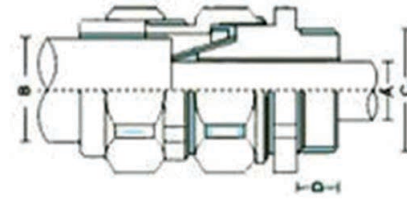
(All Dimensions in mm)

CW LSOH GLAND KIT

Indoor / Outdoor Cable Gland

Kit Comprises:

- CW Gland
- Brass Earth Tag
- Brass Locknut
- LSOH Shroud

- Type** : CW
- Gland Material** : Brass
- Design Specification** : Bs 6121 : Part 1: 1989
- Cable Type** : SWA / LSOH
- Armour Clamping** : Knurling/Lock Ring
- Entry Thread** : Metric/Imperial (ET)
- Finish** : Natural Brass/Nickel Plated

Brass indoor and outdoor glands popularly used with all steel wire armoured cables inc BS 6724, BS 8519, BS 6387, BS 7835. Terminates & secure cable armour along with outer sheath of the cable thus ensuring complete mechanical strength and earth continuity. Recommended to use LSOH shroud for additional ingress protection.

Cat #	Gland Size	Cable Dimensions			Cable Dimensions				
		Under Armour Dia Max	Overall Dia Max	Armour Wire Dia	Dia 'A'	Dia 'B'	Metric Entry Thread 'C'	Minimum Thread Length 'D'	Across Flat 'F' Max
LMCG 20S	20S	11.6	15.8	0.9/1.25	12.3	17.0	20	10	24.0
LMCG 20L	20L	13.9	19.5	0.9/1.25	14.3	20.3	20	10	27.17
LMCG 25S	25S	19.9	26.0	1.25/1.6	20.8	26.9	25	10	34.3
LMCG 25L	25L	20.0	26.1	1.25/1.6	21.0	27.0	25	10	34.5
LMCG 32S	32S	25.2	33.5	1.6/2.0	26.9	34.1	32	10	42.9
LMCG 32L	32L	25.4	34.0	1.6/2.0	27.0	34.3	32	10	43.0
LMCG 40S	40S	32.1	39.9	1.6/2.0	32.5	41.8	40	15	50.8
LMCG 40L	40L	32.3	40.0	1.6/2.0	32.7	42.0	40	15	51.0
LMCG 50S	50S	39.5	49.0	2.0/2.5	40.9	50.2	50	15	61.7
LMCG 50L	50L	43.2	51.0	2.0/2.5	44.4	52.8	50	15	63.75
LMCG 63S	63S	50.6	58.9	2.0/2.5	51.8	61.9	63	15	73.9
LMCG 63L	63L	55.9	65.3	2.5	56.4	66.5	63	15	78.5
LMCG 75S	75S	61.9	71.6	2.5	63.2	74.2	75	20	90.0
LMCG 75L	75L	67.9	78.0	2.5	68.6	78.5	75	20	96.0

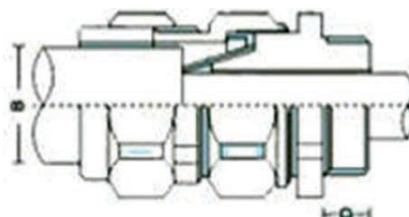
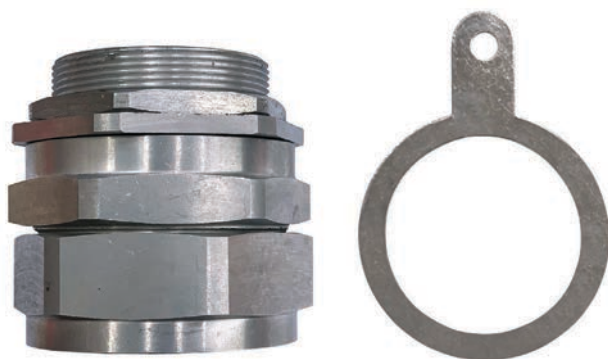
(All Dimensions in mm)

CW AL GLAND KIT

Cable Gland

Kit Comprises:

- CW-AL Gland
- Aluminium Earth Tag
- Aluminium Locknut
- PVC Shroud



Features and Benefits:

- Aluminium indoor & outdoor gland and accessories
- For Aluminium - wire armoured / PVC or Rubber sheathed cables
- Suitable for most climatic conditions, weatherproof and waterproof
- Three part armour lock with separate armour locking ring, ideal for checking electrical continuity
- No Risk of Bi-metallic corrosion when clamping Aluminium Armours

Technical Information:

Suitable for use with all Aluminium Wire Armoured

Constructed using 6082-T6 Aluminium alloy

Complies with BS EN 50262 & BS 6121-1: 1989

Gland rated to IP66 with use of suitable sealing washer or thread sealant at gland interface

Service temperature rang -20°C to +90°C

Cat #	Gland Size	Cable Dimensions			Cable Dimensions				
		Under Armour Dia Max	Overall Dia Max	Armour Wire Dia	Dia 'A'	Dia 'B'	Metric Entry Thread 'C'	Minimum Thread Length 'D'	Across Flat 'F' Max
LMCG 20S	20S	11.6	15.8	0.9/1.25	12.3	17.0	20	10	24.0
LMCG 20L	20L	13.9	19.5	0.9/1.25	14.3	20.3	20	10	27.17
LMCG 25S	25S	19.9	26.0	1.25/1.6	20.8	26.9	25	10	34.3
LMCG 25L	25L	20.0	26.1	1.25/1.6	21.0	27.0	25	10	34.5
LMCG 32S	32S	25.2	33.5	1.6/2.0	26.9	34.1	32	10	42.9
LMCG 32L	32L	25.4	34.0	1.6/2.0	27.0	34.3	32	10	43.0
LMCG 40S	40S	32.1	39.9	1.6/2.0	32.5	41.8	40	15	50.8
LMCG 40L	40L	32.3	40.0	1.6/2.0	32.7	42.0	40	15	51.0
LMCG 50S	50S	39.5	49.0	2.0/2.5	40.9	50.2	50	15	61.7
LMCG 50L	50L	43.2	51.0	2.0/2.5	44.4	52.8	50	15	63.75
LMCG 63S	63S	50.6	58.9	2.0/2.5	51.8	61.9	63	15	73.9
LMCG 63L	63L	55.9	65.3	2.5	56.4	66.5	63	15	78.5
LMCG 75S	75S	61.9	71.6	2.5	63.2	74.2	75	20	90.0
LMCG 75L	75L	67.9	78.0	2.5	68.6	78.5	75	20	96.0

(All Dimensions in mm)

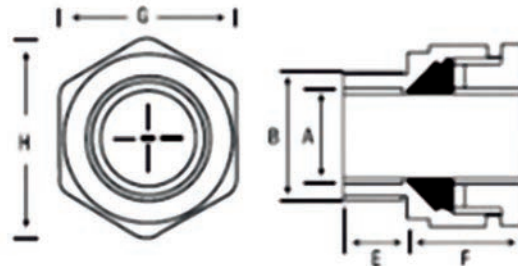
A1/A2 GLAND KIT

Indoor Cable Gland



Kit Comprises:

- A1/A2 Gland
- Brass Earth Tag
- Brass Locknut
- PVC Shroud



A1/A2 Brass indoor and outdoor Cable Glands suitable for use with circular unarmoured plastic/rubber sheathed cables. This gland provides a seal on the outer sheath of the cable. Recommended to use pvc shroud for additional ingress protection.

- TYPE** : A1/A2
- Gland Material** : Brass
- Design Specification** : BS 6121 : Part 1: 1989
- Cable Type** : Cu / PVC or Rubber
- Sealing Area** : Outer Sheath

Cat #	Gland Size	Cable Dimensions Accommodated		Gland Dimensions				
		Overall Dia		Dia 'A'	Dia 'B'	Metric Entry Thread 'C'	Minimum Thread Length 'D'	Across Flat 'F' Max
		Min	Max					
LMCG 220S	20S	8.0	11.5	11.9	15.4	20	15	23.6
LMCG 220L	20L	11.0	13.5	14.5	17.9	20	15	26.9
LMCG 225S	25S	13.0	16.5	16.5	20.3	25	15	30.5
LMCG 225L	25L	13.0	19.5	20.7	27.4	25	15	35.5
LMCG 232S/L	32S/L	19.0	25.5	26.9	31.7	32	15	41.3
LMCG 240S/L	40S/L	25.0	32.0	32.5	37.1	40	15	47.0
LMCG 250S	50S	31.5	37.0	38.6	44.2	50	15	55.0
LMCG 250L	50L	36.5	43.0	44.0	48.9	50	15	60.0
LMCG 263S	63S	42.5	50.0	50.3	56.1	63	15	64.8
LMCG 263L	63L	49.5	55.0	56.4	60.2	63	15	69.9
LMCG 275S	75S	54.5	61.0	62.2	67.2	75	15	78.8
LMCG 275L	75L	60.5	67.0	68.3	73.1	75	15	84.6
LMCG 290S/L	90S/L	65.0	78.0	70.5	80.3	90	15	102.6

(All Dimensions in mm)

A1/A2 LSOH GLAND KIT

Indoor Cable Gland

A1/A2 Brass indoor and outdoor Cable Glands suitable for use with circular LSOH unarmoured plastic/rubber sheathed cables. This gland provides a seal on the outer sheath of the cable. Recommended to use LSOH shroud for additional ingress protection.


- TYPE** : A1/A2
- Gland Material** : Brass
- Design Specification** : BS 6121 : Part 1: 1989
- Cable Type** : Cu / LSOH
- Sealing Area** : Outer Sheath

E1W GLAND KIT

E1W Cable Gland

Kit Comprises:

- E1W Gland
- Brass Earth Tag
- Brass Locknut
- PVC Shroud




- Type** : E1W
- Gland Material** : Brass
- Design Specification** : BS 6121 : Part 1: 1989
- Entry Thread** : SWA/PVC
- Finish** : Natural Brass/Nickel Plated upon request

Brass indoor and outdoor gland popularly used with all steel wire armoured cables. Terminates & secure cable armour along with outer sheath of the cable thus ensuring complete mechanical strength and earth continuity. Suitable for used in weatherproof and waterproof climate. Recommended to use pvc shroud for additional ingress protection.

Cat #	Gland Size	Cable Dimensions				Gland Dimensions				
		Under Armour Dia		Overall Dia	Armour Wire Dia	Dia 'A'	Dia 'B'	Metric Entry Thread 'C'	Minimum Thread Length 'D'	Across Flat 'F' Max
		Min	Max	Max						
LMCG 20S	20S	7.8	11.6	15.8	0.9/1.25	11.9	17.0	20	15	24.1
LMCG 20L	20L	11.8	13.9	19.5	0.9/1.25	14.5	20.3	20	15	27.2
LMCG 25S	25S	13.0	15.5	25.3	1.25/1.6	16.5	26.4	25	15	32.8
LMCG 25L	25L	14.0	19.9	26.0	1.25/1.6	20.7	27.4	25	15	35.9
LMCG 32	32	19.7	25.2	33.5	1.6/2.0	26.9	34.2	32	15	49.3
LMCG 40	40	29.1	32.1	39.9	1.6/2.0	32.5	41.8	40	15	50.8
LMCG 50S	50S	32.2	38.1	46.0	2.0/2.5	38.6	50.3	50	15	61.7
LMCG 50L	50L	38.4	43.2	51.0	2.0/2.5	44	52.8	50	15	63.75
LMCG 63S	63S	44.1	50.0	58.9	2.0/2.5	50.3	62.0	63	15	73.9
LMCG 63L	63L	50.1	55.9	65.3	2.5	56.4	66.5	63	15	78.5
LMCG 75S	75S	56.0	61.9	71.6	2.5	62.2	74.3	75	15	87.5
LMCG 75L	75L	62.0	67.9	78.0	2.5	68.3	78.5	75	15	96.0
LMCG 90	90	68.0	74.0	88.0	3.00	70.5	90.2	90	15	105.5


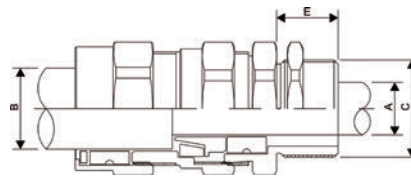
(All Dimensions in mm)

E1W LSOH GLAND KIT

E1W LSOH Cable Gland

Kit Comprises:

- E1W Gland
- Brass Earth Tag
- Brass Locknut
- LSOH / (PCP Shroud upon request)

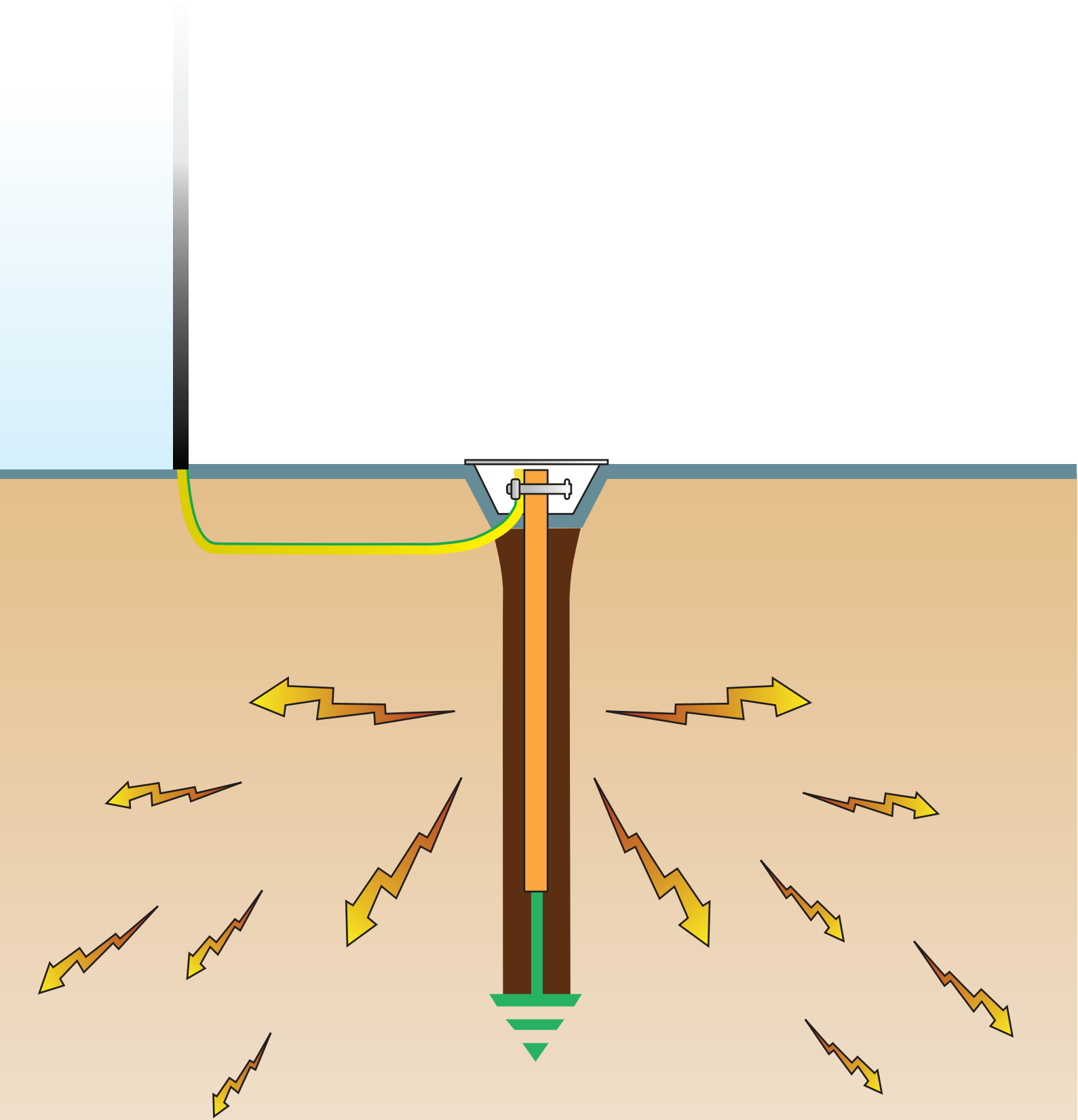
- Type** : E1W
- Gland Material** : Brass
- Design Specification** : BS 6121 : Part 1: 1989
- Entry Thread** : SWA/LSOH or FR
- Finish** : Natural Brass/Nickel Plated upon request

Brass indoor and outdoor gland popularly used with all LSOH / FR steel wire armoured cables inc BS 6724, BS 8519, BS 7846, BS 6387, BS 7835. Terminates & secure cable armour along with outer sheath of the cable thus ensuring complete mechanical strength and earth continuity. Suitable for used in weatherproof and waterproof climate. Recommended to use pvc shroud for additional ingress protection.

Cat #	Gland Size	Cable Dimensions				Gland Dimensions				
		Under Armour Dia		Overall Dia	Armour Wire Dia	Dia 'A'	Dia 'B'	Metric Entry Thread 'C'	Minimum Thread Length 'D'	Across Flat 'F' Max
		Min	Max	Max						
LMFRE1W	20S	7.8	11.6	15.8	0.9/1.25	11.9	17.0	20	15	24.1
LMFRE1W	20L	11.8	13.9	19.5	0.9/1.25	14.5	20.3	20	15	27.2
LMFRE1W	25S	13.0	15.5	25.3	1.25/1.6	16.5	26.4	25	15	32.8
LMFRE1W	25L	14.0	19.9	26.0	1.25/1.6	20.7	27.4	25	15	35.9
LMFRE1W	32	19.7	25.2	33.5	1.6/2.0	26.9	34.2	32	15	49.3
LMFRE1W	40	29.1	32.1	39.9	1.6/2.0	32.5	41.8	40	15	50.8
LMFRE1W	50S	32.2	38.1	46.0	2.0/2.5	38.6	50.3	50	15	61.7
LMFRE1W	50L	38.4	43.2	51.0	2.0/2.5	44	52.8	50	15	63.75
LMFRE1W	63S	44.1	50.0	58.9	2.0/2.5	50.3	62.0	63	15	73.9
LMFRE1W	63L	50.1	55.9	65.3	2.5	56.4	66.5	63	15	78.5
LMFRE1W	75S	56.0	61.9	71.6	2.5	62.2	74.3	75	15	87.5
LMFRE1W	75L	62.0	67.9	78.0	2.5	68.3	78.5	75	15	96.0
LMFRE1W	90	68.0	74.0	88.0	3.00	70.5	90.2	90	15	105.5

(All Dimensions in mm)

| Earthing Products



EARTHING PRODUCTS

COPPER BONDED EARTH ROD

Material : High Tensile Low Carbon Steel
Molecularly Bonding : 99.9% Pure Electrolytic Copper

Product Ref.	Rod Dia mm	Lenght mm	Thread Dia
LMERCB	12.7	1200	9/16"
LMERCB	12.7	1500	9/16"
LMERCB	12.7	1800	9/16"
LMERCB	12.7	2400	9/16"
LMERCB	14.2	1200	5/8"
LMERCB	14.2	1500	5/8"
LMERCB	14.2	1800	5/8"
LMERCB	14.2	2400	5/8"
LMERCB	14.2	3000	5/8"
LMERCB	14.2	3600	5/8"
LMERCB	17.2	1200	3/4"
LMERCB	17.2	1500	3/4"
LMERCB	17.2	1800	3/4"
LMERCB	17.2	2400	3/4"
LMERCB	17.2	3000	3/4"
LMERCB	17.2	3600	3/4"



COUPLER FOR COPPER BONDED ROD

Material : High strength copper alloy

Product Ref. R	Thread Dia	Product Ref. H
LMERC	5/8"	LMCLH16
LMERC	3/4"	LMCLH20



STAINLESS STEEL EARTH ROD

(INTERNALLY THREADED)

Material : Stainless Steel

Product Ref.	Rod Dia mm	Lenght mm	Thread Dia
LMRS	16.0	1500	M10
LMRS	16.0	1800	M10
LMRS	16.0	2400	M10
LMRS	20.0	1500	M12
LMRS	20.0	1800	M12
LMRS	20.0	2400	M12



SOLID COPPER EARTH ROD

INTERNALLY THREADED

Material : High conductivity hard drawn copper

Product Ref.	Rod Dia mm	Lenght mm	Thread Dia
LMRC	14.0	1200	M10
LMRC	14.0	1500	M10
LMRC	15.0	1200	M10
LMRC	15.0	1500	M10
LMRC	16.0	1200	M10
LMRC	16.0	1500	M10
LMRC	20.0	1200	M12
LMRC	20.0	1500	M12



INTERNAL COUPLING DOWEL

Material : Brass ; Copper ; SS.

PRODUCT REF. B	PRODUCT REF. C	PRODUCT REF. S	THREAD DIA
LMDC	LMCLC10	LMCLS10	M10



DRIVING HEAD

Material : Hardened Steel

Product Ref.	Thread Dia
LMERS	9/16"
LMERS	5/8"
LMERS	3/4"



DRIVING HEAD

Material : Hardened Steel

PRODUCT REF.	THREAD DIA	OD MM
LMDS	M 10	15
LMDS	M 10	20



DRIVING SPIKE

Material : Hardened Steel

Product Ref.	Thread Dia	OD mm
LMSP	M 10	15
LMSP	M 10	20
LMSP	5/8"	15
LMSP	3/4"	20



CONCRETE INSPECTION PIT

Material : Concrete

Product Ref.	Description	Weight	Size
LMPIT	CONCRETE INSPECTION PIT	30 KG.	320 x 320



ROD TO CABLE CLAMP - TYPE 'G'

Material : Body - Gunmetal : Bolts - Bronze
(Tightening Torque : 12 Nm.)

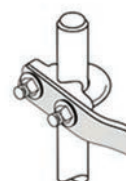
Product Ref.	Rod Dia mm	Conductor Range mm ²
LMCL	12-7	16-70
LMCL	14-7	16-70
LMCL	17.2	35-95
LMCL	20.0	50-150
LMCL	25.0	70-185



U BOLT CLAMP - TYPE 'E'

Body - Gunmetal, Bolts, U Bolt - Copper
(Tightening Torque : 12 Nm.)

Product Ref.	Rod Dia mm	Tap Width mm
LMUBC 201	12 - 20	25 - 50
LMUBC 201	25	25 - 30



U BOLT CLAMP - TYPE 'GUV'

Material : Body - Gunmetal : Bolts - Copper
 (Tightening Torque : 12 Nm.)

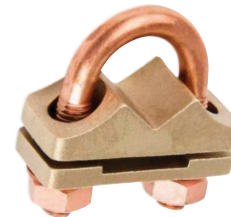
Product Ref.	Rod Dia mm	Conductor Range mm2
LMUBC	12 - 20	35 - 70
LMUBC	16 - 25	185 - 300

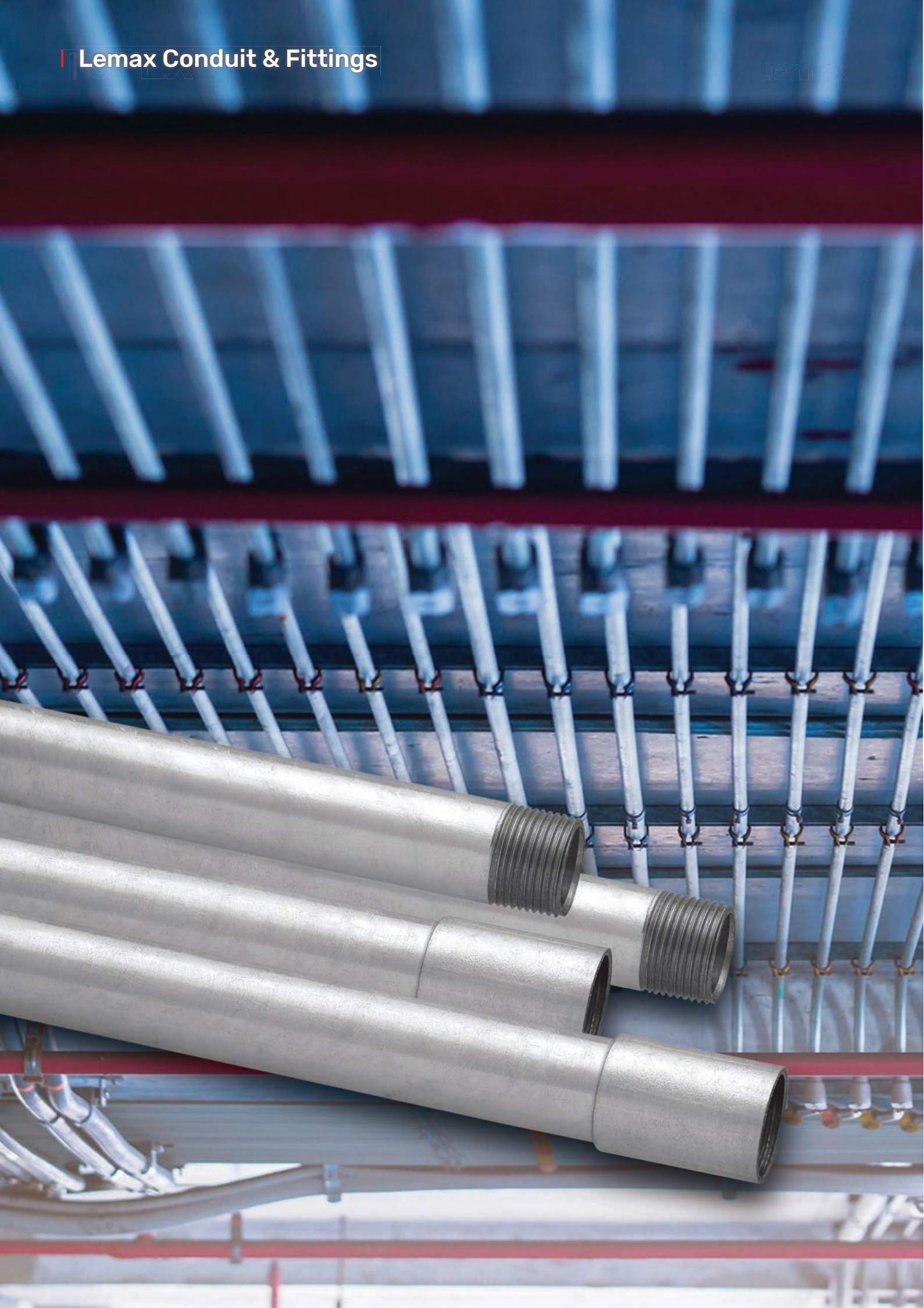


ROD TO TAPE U BOLT CLAMP - TYPE 'E'

Material : Body - Gunmetal : Bolts - Copper
 (Tightening Torque : 12 Nm.)

Product Ref.	Rod Dia Mm	Tape Width Mm
LMUBC 202	12 - 20	25
LMUBC 202	25	25
LMUBC 202	12 - 20	50
LMUBC 202	25	50





LEMAX CONDUIT & FITTINGS

Lemax Conduits series product under the Topex brand. Its offers complete HDG Class 4 Conduits and fittings solutions. Lemax Conduits are manufactured to meet BS standard ensuring the highest quality products.

Lemax Conduits and fittings meet and comply with BS Standard

Rigid Steel Conduit	BS 4568 / BS EN 61386
Fittings & Accessories	BS EN 50086-1
	BS EN 50086-2-1
	BS EN 61386-1
	BS EN 61386-21
Switch and Socket Boxes	BS 4662



HDG CONDUIT, CLASS 4

Lemax Conduits manufactured in accordance with

- Rigid Steel Conduit BS 4568 / BS EN 61386
- Fittings & Accessories BS EN 50086-1
- BS EN 50086-2-1
- BS EN 61386-1
- BS EN 61386-21
- Switch and Socket Boxes BS 4662

Hot dip galvanised (Heavy Protection), both inside and outside.
 Both ends threaded with one coupler and protected with plastic cap at the other end.
 Standard Length is 3.75 meters.



Hot Dipped Galvanised Inside & Out Side (Class 4)

External Diameter	No. of lengths per bundle	No. of lengths per lift	Metres per lift	Approx. weight per lift Tonnes
20mm	8	50	1500	1.16
25mm	8	40	1200	1.17
32mm	4	41	615	0.80

CONDUIT FITTINGS & ACCESSORIES

BOXES - CIRCULAR, SMALL

Material : Malleable Iron

Finishes : Black Enamel, Galvanised

60.3mm Internal Diameter

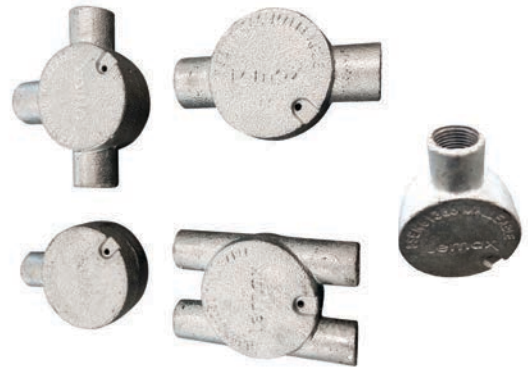
20mm Boxes Minimum 25mm Deep

25mm Boxes Minimum 28mm Deep

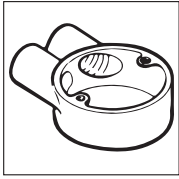
Tapped M4 at 50.8mm centres.

With tapped hole in base for earthing screw.

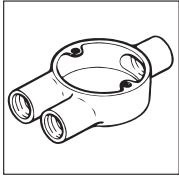
Supplied without covers or fixing screws unless ordered.



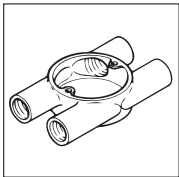
	<p>Terminal (1 way) No. GICB-1LM</p> <p>Size: 20mm 25mm</p> <p>Pack Qty: 10 10</p>		<p>Through and Back Outlet No. GICBB-2MM</p> <p>Size: 20mm 25mm</p> <p>Pack Qty: 10 10</p>
	<p>Through (2 way) No. GICB-2LM</p> <p>Size: 20mm 25mm</p> <p>Pack Qty: 10 10</p>		<p>Angle and Back Outlet No. GICBB2A-LM</p> <p>Size: 20mm 25mm</p> <p>Pack Qty: 10 10</p>
	<p>Angle (A way) No. GICB2A-LM</p> <p>Size: 20mm 25mm</p> <p>Pack Qty: 10 10</p>		<p>Tee and Back Outlet No. GICBB-3LM</p> <p>Size: 20mm 25mm</p> <p>Pack Qty: 10 10</p>
	<p>Tee (3 way) No. GICB-3LM</p> <p>Size: 20mm 25mm</p> <p>Pack Qty: 10 10</p>		<p>Intersection and Back Outlet No. GICBB-4LM</p> <p>Size: 20mm 25mm</p> <p>Pack Qty: 10 10</p>
	<p>Intersection (4 way) No. GICB-4LM</p> <p>Size: 20mm 25mm</p> <p>Pack Qty: 10 10</p>		<p>Tangent Through No. GICTT-2LM</p> <p>Size: 20mm 25mm</p> <p>Pack Qty: 10 10</p>
	<p>Back Outlet No. GICBB-LM</p> <p>Size: 20mm 25mm</p> <p>Pack Qty: 10 10</p>		<p>Tangent Angle No. GICTT2A-LM</p> <p>Size: 20mm 25mm</p> <p>Pack Qty: 10 10</p>
	<p>Terminal and Back Outlet No. GICBB-1LM</p> <p>Size: 20mm 25mm</p> <p>Pack Qty: 10 10</p>		<p>Tangent Tee No. GICTT-3LM</p> <p>Size: 20mm 25mm</p> <p>Pack Qty: 10 10</p>



Branch Two Way (U) No. GICB2U-LM
 Size: 20mm 25mm
 Pack Qty: 10 10



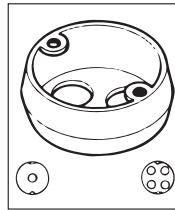
Branch Three Way (Y) No. GICB3Y-LM
 Size: 20mm 25mm
 Pack Qty: 10 10



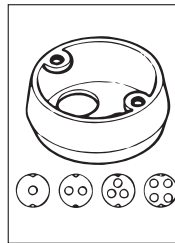
Twin Through Way (H) No. GICB4H-LM
 Size: 20mm 25mm
 Pack Qty: 10 10

LOOPING IN BOXES

With tapped hole in base for earthing screw. 20mm clearance

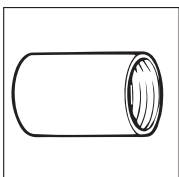


Steel Medium No. GILB-4LM
 Material: Steel. Finishes: Black Enamel, Galvanised. With tapped hole in base for earthing screw. 1 Hole or 4 Knockouts Size: 29mm Deep X 63.5mm InterDia.

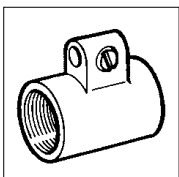


Malleable Iron Medium No. GILB-LM
 Material: Malleable Iron. Finishes: Black Enamel, Galvanised. With tapped hole in base for earthing screw. 1,2,3,4 Holes. Minimum: 31mm Deep X 63.5mm InterDia.

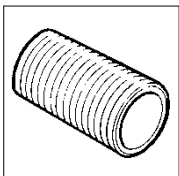
COUPLINGS



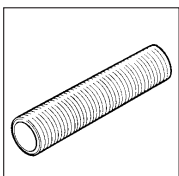
GI Coupler No. GICP-LM
 Material: Steel
 Finishes: Black Enamel, Galvanised
 Size: 20mm 25mm 32mm
 Size: 1½" 2"



Earthing Coupling No. GIECP-LM
 Material: Malleable Iron
 Finishes: Black Enamel, Galvanised
 Size: 20mm 25mm 32mm
 Size: 1½" 2"

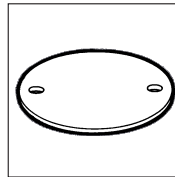


Normal Nipple No. GINP-LM
 Material: Steel
 Finishes: Self Colour, Galvanised
 Size: 20mm 25mm 32mm
 Size: 1½" 2"

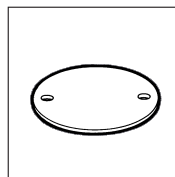


300mm Long Nipple No. GILNP-LM
 Material: Steel
 Finishes: Self Colour, Galvanised
 Size: 20mm 25mm 32mm
 Size: 1½" 2"

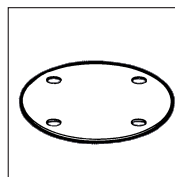
SMALL BOX COVERS [LIDS]



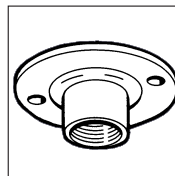
No Screws Light Cover with Dia.86mm No. GICB-LM
 Material: Steel
 Finishes: Black Enamel, Galvanised



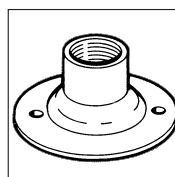
No Screws Light Cover with Dia.65mm No. GICB-LM
 Material: Steel
 Finishes: Black Enamel, Galvanised



No Screws Light Cover with Dia.65mm No. GICB-LM
 Material: Steel
 Finishes: Black Enamel, Galvanised

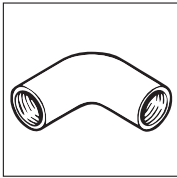


Female Dome Cover No. GIFDC-LM
 Material: Malleable Iron
 Finishes: Black Enamel, Galvanised
 Size: 20mm 25mm

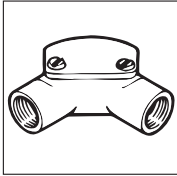


Female Dome Cover No. GIFDC-LM
 Material: Steel
 Finishes: Black Enamel, Galvanised
 Size: 20mm 25mm

EIBOWS

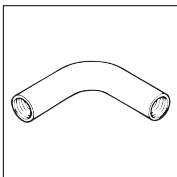


Solid Elbow No. GIEB-LM
 Material: Malleable Iron
 Finishes: Black Enamel, Galvanised
 Size: 20mm 25mm 32mm

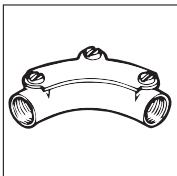


Channel Inspection Elbow No. GIIEB-LM
 Material: Malleable Iron
 Finishes: Black Enamel, Galvanised
 Size: 20mm 25mm 32mm

BENDS

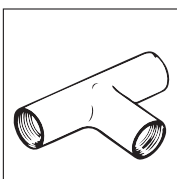


Internal Thread Normal Bends
No. GIBD-LM
 Material: Steel
 Finishes: Black Enamel, Galvanised
 Size: 20mm 25mm 32mm

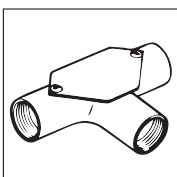


Inspection Bends
No. GIIBD-LM
 Material: Malleable Iron
 Finishes: Black Enamel, Galvanised
 Size: 20mm 25mm 32mm

TEES

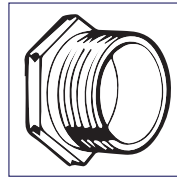


Solid Tee No. GIT-LM
 Material: Malleable Iron
 Finishes: Black Enamel, Galvanised
 Size: 20mm 25mm 32mm

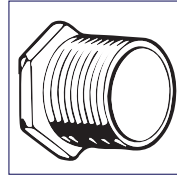


Channel Inspection Tee No. GIIT-LM
 Material: Malleable Iron
 Finishes: Black Enamel, Galvanised
 Size: 20mm 25mm 32mm

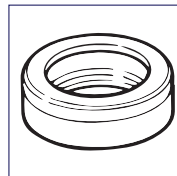
BUSHES



Short Male Bush No. GISMBB-LM
 Material: Brass or Zinc
 Finishes: Self Colour / Brass Plated
 Size: 20mm 25mm 32mm
 Size: 1½" 2"



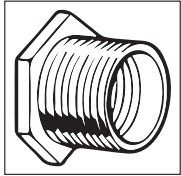
Long Male Bush No. GIMBB-LM
 Material: Brass or Zinc
 Finishes: Self Colour / Brass Plated
 Size: 20mm 25mm 32mm
 Size: 1½" 2"



Female Bush No. GISFBB-LM
 Material: Brass or Zinc
 Finishes: Self Colour / Brass Plated
 Size: 20mm 25mm 32mm
 Size: 1½" 2"

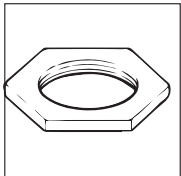


REDUCERS

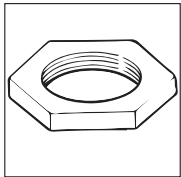


Reducer No. GIRD-LM
 Material: Malleable Iron
 Finishes: Black Enamel, Galvanised
 Size: 25x20mm 32x20mm
 Size: 32x25mm

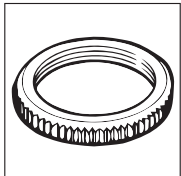
LOCKNUTS



Light Hexagon Locknut
No. GILN-LM
 Material: Steel (thickness 3mm)
 Finishes: Black Enamel, Galvanised
 Size: 20mm 25mm 32mm

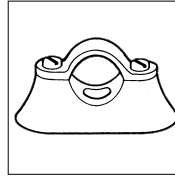


Heavy Hexagon Locknut
No. GIHLN-LM
 Material: Steel (thickness 5-6mm)
 Finishes: Black Enamel, Galvanised
 Size: 20mm 25mm 32mm

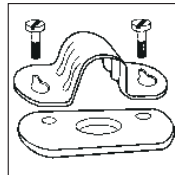


Milled Edge Circular Locknut
No. GIRLN-LM
 Material: Steel
 Finishes: Black Enamel, Zinc Plated
 Size: 20mm 25mm 32mm

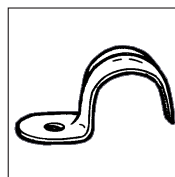
SADDLES



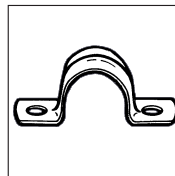
Distance Saddle No. GIDSD-LM
 Material: Malleable Iron Base, Steel Top
 Finishes: Black Enamel, Galvanised
 Size: 20mm 25mm 32mm



Spacer Bar Saddle
No. GIDSSD-LM
 Material: Steel
 Finishes: Black Enamel, Galvanised
 Size: 20mm 25mm 32mm

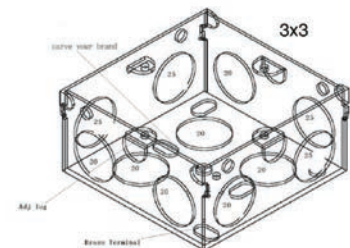


Clip (Half Saddle)
No. GIHSD-LM
 Material: Steel
 Finishes: Black Enamel, Galvanised
 Size: 20mm 25mm 32mm



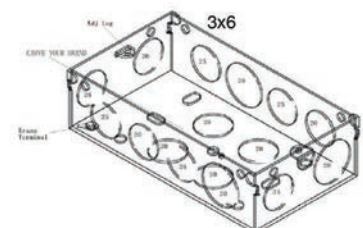
1Way (Single) Saddle
No. GISD-LM
 Material: Steel
 Finishes: Black Enamel, Galvanised
 Size: 20mm 25mm 32mm

GI JUNCTION BOX

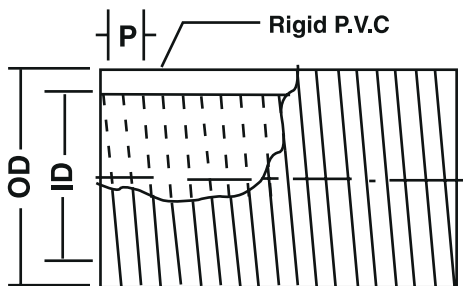


Technical & Specifications

Model No.	Size	Thickness	Depth	Knock Out	Earthing
GIB3X3-LM	3X3	1.1MM	35MM	20MM & 25MM	BRASS TERMINAL
GIB6X3-LM	6X3	1.1MM	35MM & 47MM	20MM & 25MM	BRASS TERMINAL



Gi Flexible Conduits



Lemax GI Flexible Conduit with PVC coating is intended to protect cables in applications where there is repeated flexing, vibration and bending. When installing wiring systems, adherence to the current wiring regulations is strongly advised.

Technical Specifications

CODE No.	Outer Dia	Inner Dia	Thickness of Steel Strip	Standard Length
GFC-20-LM	20mm	16.5mm	8.6*0.22mm	25Mtr/Rolls
GFC-25-LM	25mm	21.0mm	9.5*0.22mm	25Mtr/Rolls
GFC-32-LM	32mm	27.5mm	12.7*0.25mm	15Mtr/Rolls
GFC-40-LM	43mm	38.0mm	12.7*0.28mm	10Mtr/Rolls
GFC-50-LM	52mm	46.0mm	17*0.35mm	10Mtr/Rolls

FLEXIBLE STEEL CONDUIT CONNECTOR

METRIC TYPE CABLE GLANDS

- **Material:**
Body: Nickel Plated Brass
Seal: Polymeide 66
Sealing: NBR
- **IP68**



Size	Cable Diameter	Thread Length
M12*1.5	3-7	6
M14*1.5	3-7	6
M16*1.5	4-8	7
M18*1.5	6-10	8
M20*1.5	8-12	8
M22*1.5	10-14	9
M24*1.5	10-14	10
M25*1.5	10-14	10
M27*1.5	13-18	11
M30*1.5(2.0)	13-18	11
M32*1.5(2.0)	15-22	11
M33*1.5(2.0)	15-22	11
M36*1.5(2.0)	18-25	11
M40*1.5(2.0)	22-28	12
M42*1.5(2.0)	22-28	12
M48*1.5(2.0)	25-32	13
M50*1.5(2.0)	25-32	13
M54*1.5(2.0)	32-38	14
M56*1.5(2.0)	32-38	14
M60*1.5(2.0)	37-44	14
M63*1.5(2.0)	37-44	14
M64*1.5(2.0)	37-44	14
M72*1.5(2.0)	42-52	15
M75*1.5(2.0)	42-52	15
M80*1.5(2.0)	55-60	18
M88*1.5(2.0)	65-70	20
M100*1.5(2.0)	75-84	22

PG TYPE CABLE GLANDS

- **Material:**
Body: Nickel Plated Brass
Seal: Polymeide 66
Sealing: NBR
- **IP68**



Size	Cable Diameter	Thread Length
PG7	3-7	6
PG9	4-8	7
PG11	6-10	8
PG13.5	8-12	8
PG16	10-14	9
PG21	13-18	11
PG29	18-25	11
PG36	25-32	13
PG42	32-38	14
PG48	37-44	14
PG63	43-52	15

METRIC TYPE EMC CABLE GLANDS

- **Material:**
Body: Nickel Plated Brass
Seal: Polymeide 66
Sealing: NBR
- **IP68**



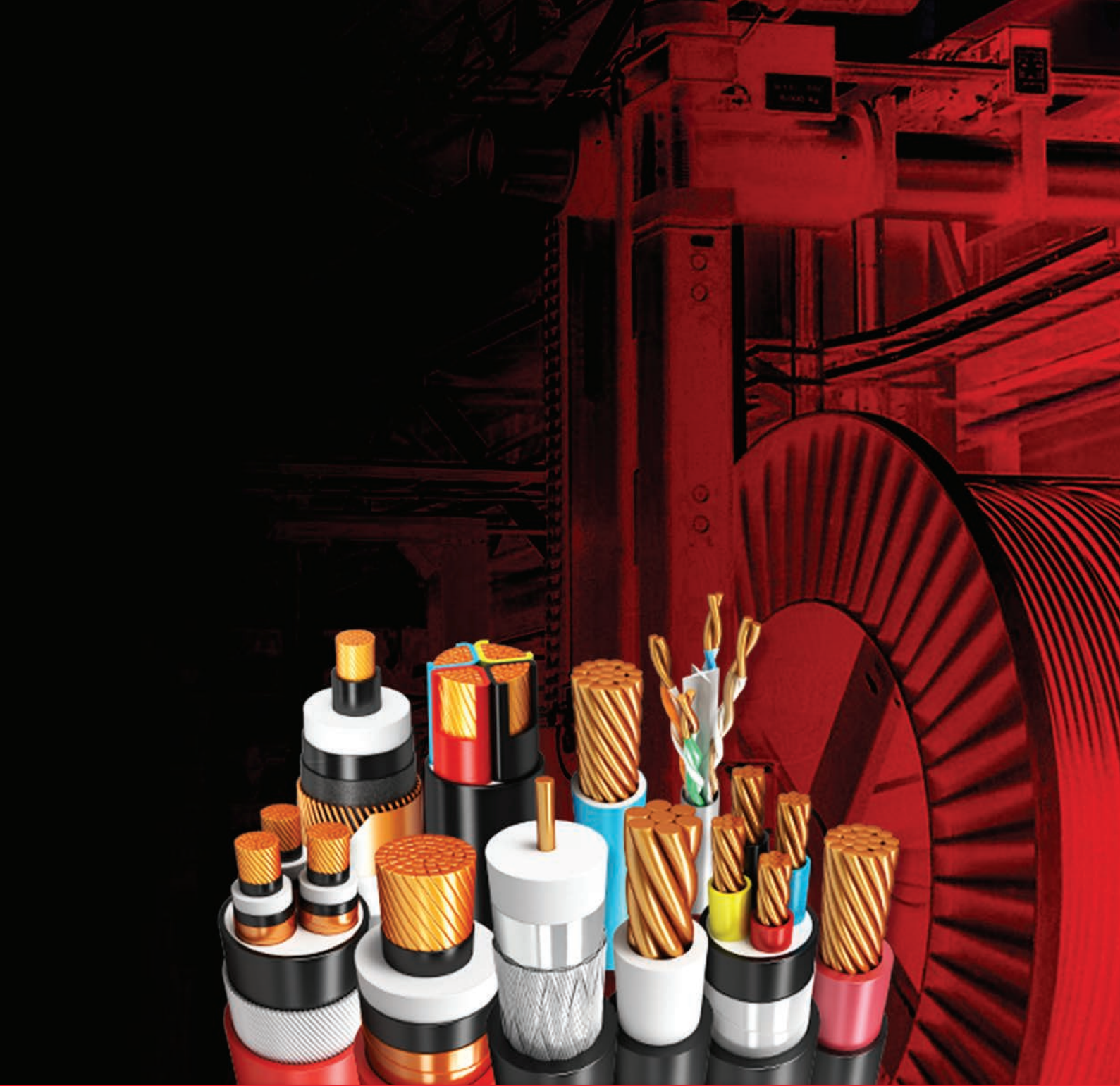
Size	Cable Diameter	Thread Length
M12*1.5	4-8	5/10
M16*1.5	5-10	6/10
M20*1.5	9-14	7/10
M25*1.5	11-18	7/12
M32*1.5	16-24	8/12
M40*1.5	22-32	9/15
M50*1.5	30-40	9/15
M63*1.5	38-53	10/15

PG TYPE EMC CABLE GLANDS

- **Material:**
Body: Nickel Plated Brass
Seal: Polymeide 66
Sealing: NBR
- **IP68**



Size	Cable Diameter	Thread Length
PG7	4-8	5/10
PG9	5-10	6/10
PG11	5-10	6/10
PG13.5	9-14	7/10
PG16	9-14	7/10
PG21	11-18	7/12
PG29	16-24	8/12
PG36	22-32	9/15
PG42	30-40	9/15
PG48	38-53	10/15



PVC, Rubber, Control & Flexible Cable

TOPEX

TOPEX
Xtrem

ABOUT



Topex Xtrem is synonymous with dynamic & innovative insight into the cable industry.

With it's state-of-the-art manufacturing facility in Vadodra, India, Topex Xtrem has collated the best infrastructure, quality system, process controls & certifications.

Topex Xtrem portfolio consists of rubber cables, PVC flexible cables, panel wires and control cables.

RUBBER CABLE

H07RN-F 450/750V

APPLICATIONS

Description:

- Heavy-duty flexible cables for medium mechanical stress in dry and wet, suitable for large boiling installations, heating plates.
- Inspections lamps, electrical tools such as drills circular saws.
- Domestic electric tools, transportable motors etc.
- Installation with moving equipment at work site.
- Oil resistant applications.
- For use in submersible pumps.
- Other industrial applications.

Minimum bending radius:	For cable diameter D (mm)			
	D < 8	8 < D < 12	12 < D < 20	D > 20
For fixed installation	3 D	3 D	4 D	4 D
At inlet of portable appliance or mobile equipment. No mechanical load on cable	4 D	4 D	5 D	6 D
Under mechanical load	6 D	6 D	6 D	8 D

Standard length cable packing : 1000m on drums. Other forms of packing and delivery are available on request

CHARACTERISTICS



According to
HD 22
IEC 60245-4



Rated Voltage
Fixed: 600/1000 V
Mobile: 450/750 V



Maximum service
temperature: 90°C



Minimum bending
radius
4 x ϕ cable



Meter by meter
marking

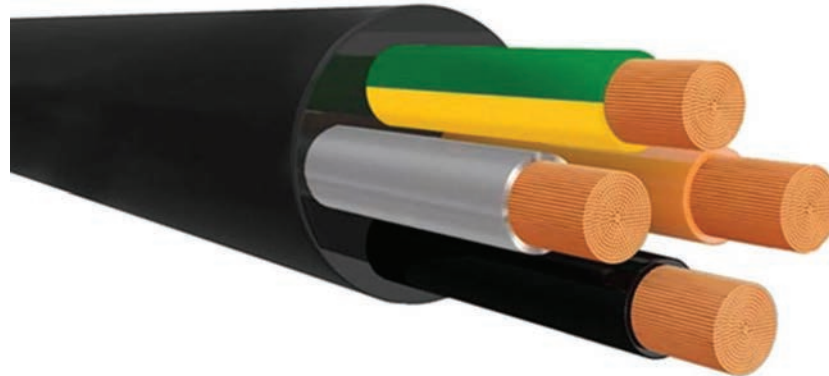
INTRODUCTION TO H07RN-F RUBBER CABLES

TOPEX XTREM- H07RN-F Rubber Flexibles are designed to provide excellent flexibility during usage. These cables can withstand weather, medium mechanical and thermal stress. They exhibit very good oil resistance property.

CABLE DETAILS

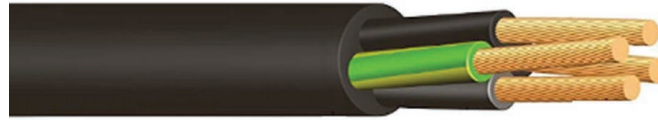
Conductor:	Annealed flexible stranded tin coated or bare copper class 5 to IEC/BS EN 60228
Separator:	A suitable tape separator between the conductor and insulation as and when required.
Insulation:	Ethylene Propylene Rubber (EPR) type EI 7 to BS standard
Core identification:	<p>Color coding of power conductors comply to HD 308, BSEN 50525 specification</p> <p>Two core - Blue, Brown</p> <p>Three core - Green/Yellow, Blue, Brown</p> <p>Four core - Green/Yellow, Brown, Black, Grey or Green/Yellow, Blue, Brown, Black</p> <p>Five core - Green/Yellow, Blue, Brown, Black, Grey</p>
Outer Sheath:	A synthetic thermosetting compound to BSEN 50363-2-1
Colour of outer jacket:	Black (Other colors on request)
Operating temperature:	Temperature range of -25°C to +90°C. For fixed installation lowest temperature is -40°C
Short circuit temperature:	250°C
Voltage:	600/1000 V or 450/750V
Cable standard:	BS EN 50525 - 2 - 21
Flame propagation:	IEC 60332-1-2:2004, EN 60332-1-2:2004
Outer Sheath:	90°C

TECHNICAL DATA



Size No. of cores xmm ²	Nominal thickness of insulation	Nominal thickness of jacket	Approx. O. D. of cable	Voltage Drop	Approx. weight of cable
	mm	mm	mm	V/A/km	kg/km
1x6	1.0	1.6	8.50	6.63	122
1x10	1.2	1.8	10.20	3.90	195
1x16	1.2	1.9	11.30	2.35	254
1x25	1.4	2.0	12.75	1.50	345
1x35	1.4	2.2	14.40	1.09	446
1x50	1.6	2.4	16.50	0.80	598
1x70	1.6	2.6	19.00	0.54	799
1x95	1.7	2.8	21.50	0.41	1027
1x120	1.8	3.0	24.00	0.32	1268
1x150	2.0	3.2	26.40	0.25	1569
1x185	2.2	3.4	28.80	0.21	1890
1x240	2.4	3.5	30.90	0.17	2373
1x300	2.6	3.6	34.50	0.13	2902
1x400	2.8	3.8	38.9	0.1	4303
1x500	3	4	43.2	0.1	5453
1x630	3	4.1	47.9	0.1	6946

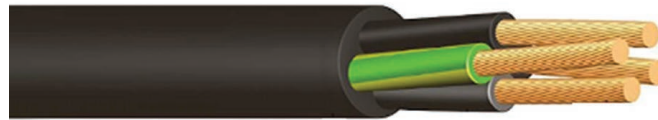
TECHNICAL DATA



Size No. of cores xmm ²	Nominal thickness of insulation	Nominal thickness of jacket	Approx. O. D. of cable	Voltage Drop	Approx. weight of cable
	mm	mm	mm	V/A/km	kg/km
2x1	0.8	1.3	8.50	45.20	104
2x1.5	0.8	1.5	9.50	30.90	140
2x2.5	0.9	1.7	11.10	18.50	172
2x4	1.0	1.8	12.80	11.50	240

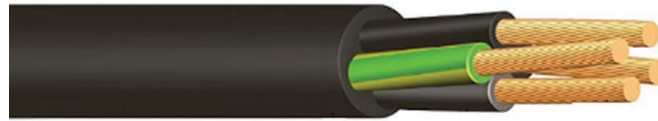
Size No. of cores xmm ²	Nominal thickness of insulation	Nominal thickness of jacket	Approx. O. D. of cable	Voltage Drop	Approx. weight of cable
	mm	mm	mm	V/A/km	kg/km
3x1	0.8	1.4	9.20	45.20	122
3x1.5	0.8	1.6	10.30	30.90	159
3x2.5	0.9	1.8	11.90	18.50	225
3x4	1.0	1.9	13.60	11.50	300
3x6	1.0	2.1	15.50	7.60	400
3x10	1.2	3.3	22.00	4.45	685
3x16	1.2	3.5	24.20	2.81	890
3x25	1.4	3.8	27.90	1.85	1219
3x35	1.4	4.1	31.80	1.29	1570
3x50	1.6	4.5	35.60	0.90	2210
3x70	1.6	4.8	39.80	0.64	3050

TECHNICAL DATA



Size No. of cores xmm ²	Nominal thickness of insulation	Nominal thickness of jacket	Approx. O. D. of cable	Voltage Drop	Approx. weight of cable
	mm	mm	mm	V/A/km	kg/km
4x1.5	0.8	1.7	11.30	26.70	194
4x2.5	0.9	1.9	13.20	16.00	275
4x4	1.0	2.0	15.10	9.95	373
4x6	1.0	2.3	17.20	6.63	498
4x10	1.2	3.3	24.80	3.84	838
4x16	1.2	3.6	26.70	2.43	1075
4x25	1.4	4.1	31.10	1.58	1570
4x35	1.4	4.4	33.70	1.10	2024
4x50	1.6	4.8	38.50	0.78	2707
4x70	1.6	5.2	44.10	0.54	3572
4x95	1.7	4.6	47.50	0.32	4308
4x120	1.8	5.5	55.10	0.41	5599
4x150	2.0	6.5	61.30	0.32	7106
4x185	2.2	7.0	65.90	0.24	9750
4x240	2.4	7.6	75.40	0.22	12750
4x300	2.6	8.3	82.70	0.19	14950

TECHNICAL DATA



Size No. of cores xmm ²	Nominal thickness of insulation	Nominal thickness of jacket	Approx. O. D. of cable	Voltage Drop	Approx. weight of cable
	mm	mm	mm	V/A/km	kg/km
5x1.5	0.8	1.8	12.10	26.70	234
5x2.5	0.9	2.0	14.40	16.00	330
5x4	1.0	2.2	16.80	9.95	458
5x6	1.0	2.5	19.10	6.63	610
5x10	1.2	3.6	25.90	3.84	1058
5x16	1.2	3.9	29.10	2.43	1400
5x25	1.4	4.4	32.70	1.58	1920
5x35	1.4	4.6	37.70	1.10	2450
5x50	1.6	5.2	41.50	0.80	3290
5x70	1.6	5.2	48.80	0.54	4266
5x95	1.7	6.3	54.20	0.40	5708
7x1.5	0.8	2.6	15.00	30.90	375
7x2.5	0.9	2.8	17.10	18.50	499
12x1.5	0.8	2.9	19.10	30.90	598
12x2.5	0.9	3.1	22.10	18.50	800
19x1.5	0.8	3.2	23.40	30.90	875
19x2.5	0.9	3.5	26.80	18.50	1190

CURRENT CARRYING CAPACITY

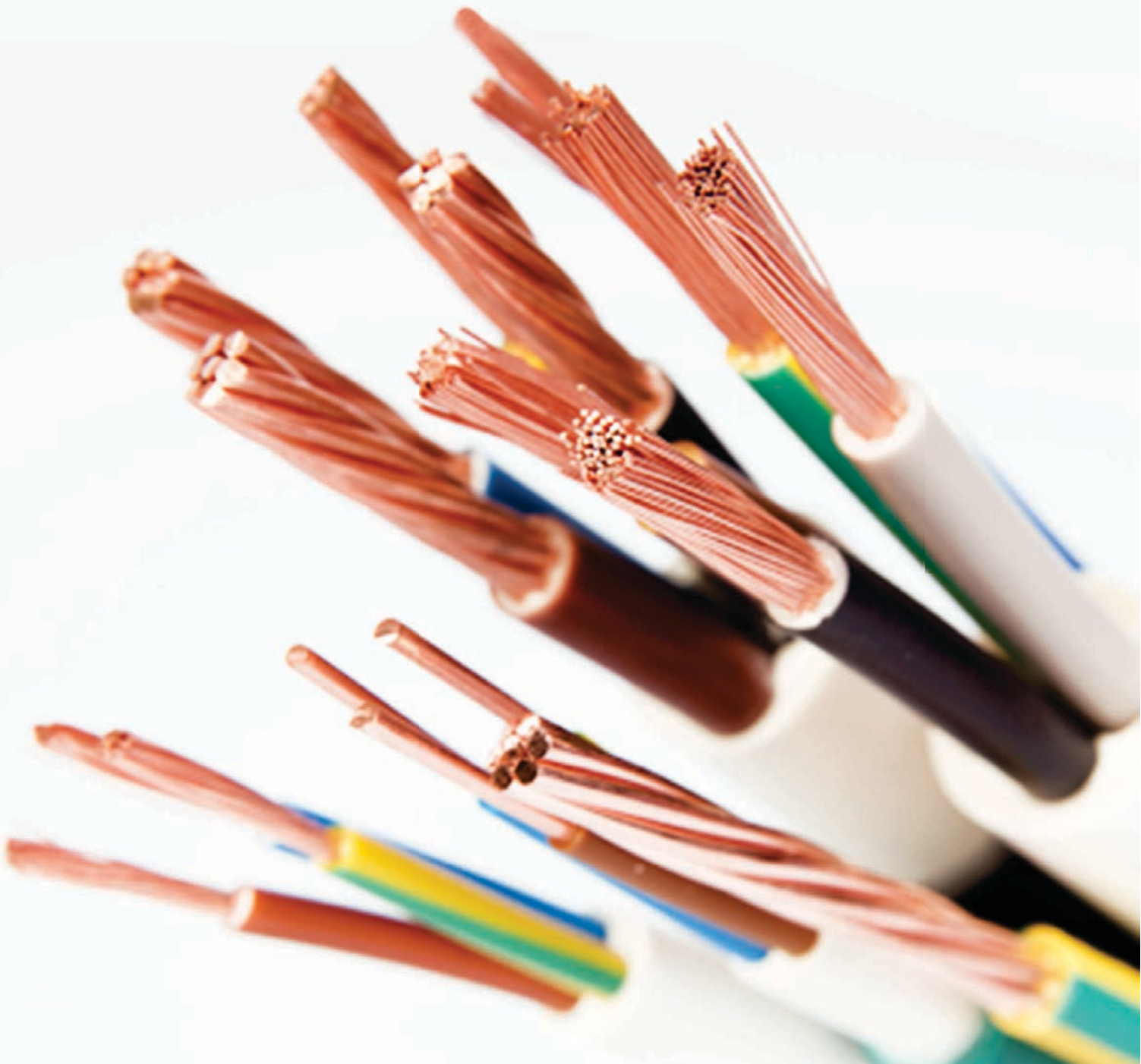
Size mm ²	Single core (for three phase circuit) (A)	Two Cores (A)	Three Cores (A)	Four Cores (A)	Five Cores (A)
1	-	20	18	18	18
1.5	27	29	25	25	25
2.5	34	39	32	32	32
4	47	52	44	44	44
6	59	66	56	56	56
10	83	90	78	78	78
16	108	115	102	102	102
25	135	149	127	127	127
35	167	185	158	158	158
50	204	225	192	192	192
70	261	289	246	246	246
95	316	352	298	298	298
120	367	-	346	346	-
150	423	-	399	399	-
185	483	-	456	456	-
240	570	-	538	538	-
300	658	-	621	621	-
400	792	-	-	-	-
500	904	-	-	-	-
630	1033	-	-	-	-

NOTE: AMBIENT TEMPERATURE = 30° C
 CABLE OPERATING TEMPERATURE = 90° C

TEMPERATURE CORRECTION FACTORS:

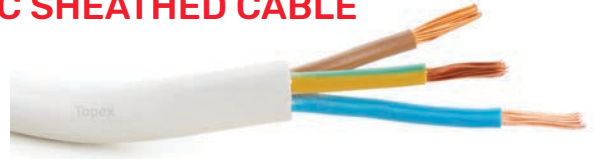
Temperature of air °C	10	15	20	25	30	35	40	45	50	55
Correction factors:	1,29	1,22	1,15	1,08	1,00	0,91	0,82	0,71	0,58	0,41

Multi Core Flexible PVC Insulated



MULTI CORE FLEXIBLE PVC INSULATED PVC SHEATHED CABLE RATED TEMPERATURE* 70°C, 90°C

SPECIFICATION : BS EN 50525-2-11 & IEC 60227-5



Application

These cables are useful for use in dry or damp locations for medium duties in domestic premises, kitchens and offices. Suitable for washing machines, refrigerators etc. Can be used for cooking and heating appliances provided that the cable does not come in contact with the hot parts.

Technical Data

Voltage Grade : 300/500 V R.M.S.
Flame Retardant : IEC 60332-1
Minimum Bending Radius : 6 x Over all Diameter.
Max. Short Circuit Temperature : 160°C (max. duration 5 sec.)

Construction

- Conductor** : Plain annealed copper flexible as per class 5 of IEC 60228.
Insulation : PVC Type T1 2 Rated 70°C as per BS EN 50363-3.
 PVC Type T1 3 Rated 90°C as per BS EN 50363-3.
Color Code : Two core: Blue & Brown, Three core: Green/Yellow, Blue & Brown, Four core: Green/Yellow, Black, Blue & Brown. Five core: Green/Yellow, Black, Blue, Brown & Black.
Assembly : Cores twisted together to make a round assembly with fillers wherever necessary.
Outer Sheath : PVC Type TM 2 as per BS EN 50363-4-1 & PVC type TM 3 as per BS EN 50363-4-1. Outer Sheath color shall be White, But any other color can be supplied on request.
Cable Code : H05VV-F.

No. of Core	Conductor Cress Sectional Area (mm ²)	Insulation Thickness (mm)	Outer Sheath Thickness (mm)	Approx. Overall Dia (mm)	Approx. Weight (kg/km)	Conductor Resistance at 20°C (MAX.) Ω/Km	Current Carring Capacity at 30°C in Free Air (1 Phase) Amp.	Current Carring Capacity at 30°C in Free Air (3 Phase) Amp.
2	0.75	0.6	0.8	6.5	61	26.0	6	6
2	1.0	0.6	0.8	6.8	70	19.5	10	10
2	1.5	0.7	0.8	7.7	91	13.3	16	16
2	2.5	0.8	1.0	9.4	139	7.98	25	20
2	4	0.8	1.1	10.7	192	4.95	32	25
3	0.75	0.6	0.8	6.9	73	26.0	6	6
3	1.0	0.6	0.8	7.2	85	19.5	10	10
3	1.5	0.7	0.9	8.4	114	13.3	16	16
3	2.5	0.8	1.1	10.2	175	7.98	25	20
3	4	0.8	1.2	11.6	244	4.95	32	25
4	0.75	0.6	0.9	7.7	91	26.0	6	6
4	1.0	0.6	0.9	8.1	106	19.5	10	10
4	1.5	0.7	1.0	9.3	142	13.3	16	16
4	2.5	0.8	1.1	11.1	211	7.98	25	20
4	4	0.8	1.2	12.6	297	4.95	32	25
5	0.75	0.6	0.9	8.4	112	26.0	6	6
5	1.0	0.6	0.9	8.8	131	26.0	10	10
5	1.5	0.7	1.1	10.4	181	19.5	16	16
5	2.5	0.8	1.2	12.4	268	13.3	25	20
5	4	0.8	1.4	13.8	356	4.95	32	25

Ambient Temperature	35	40	45	50	55
Correction Factor	0.96	0.92	0.87	0.71	0.50

Packing : Packing is available in Coil/Reel/Drum with Meters/Yards/Feet.

Note:

- Other sizes are available upon request
- The tolerance on the cable overall diameter shall be ± 2.0 mm.
- 6 sq mm conductor size and 105°C conductor operating temperature is not covered is BS EN 50525-2-11 hence cable designation code is not provided on printing and offered GEN. TO BS EN 50525-2-11, IEC 60227-5.

MULTI CORE FLEXIBLE HR PVC INSULATED TEMPERATURE* 105°C

SPECIFICATION : BS EN 50525-2-11 & IEC 60227-5



Application

These cables are useful for use in dry or damp locations for medium duties in domestic premises, kitchens and offices. Suitable for washing machines, street light, outdoor machines, refrigerators etc. Can be used for cooking and heating appliances provided that the cable does not come in contact with the hot parts.

Technical Data

Temperature Range	: 25°C to +105°C
Voltage Grade	: 450/750 VR.M.S
DC Cond. Res. at 20°C Max. (Ω/km)	: As per Class 5 of IEC 60228
Max. Short Circuit Temperature	: 160°C (max. duration 5 sec.)
Flame Retardant	: IEC 60332-1

Construction

- Conductor** : Plain annealed copper flexible as per class 5 of IEC 60228.
- Insulation** : HR PVC 105°C.
- Color Code** : Three Core: Green/Yellow, Blue & Brown. (Surface coloring as per BS EN 50525-1 Cl. 5.4.1).
- Assembly** : Cores twisted together to make a round assembly with fillers wherever necessary.
- Outer Sheath** : PVC Type TM 3 as per BS EN 50363-4-1. The sheath is flame retardant as per IEC 60332-1. The color of the sheath is White.

No. of Core	Conductor Cress Sectional Area (mm ²)	Insulation Thickness (mm)	Outer Sheath Thickness (mm)	Approx. Overall Dia (mm)	Approx. Weight (kg/km)	Conductor Resistance at 20°C (MAX.) Ω /Km	Current Carrying Capacity at 30°C in Free Air (1 Phase) Amp.	Current Carrying Capacity at 30°C in Free Air (3 Phase) Amp.
3	1.5	0.7	0.9	8.4	114	13.3	16	16
3	2.5	0.8	1.1	10.2	175	7.98	25	20
3	4	0.8	1.2	11.6	244	4.95	32	25
4	1.5	0.7	1.0	9.3	142	13.3	16	16
4	2.5	0.8	1.1	11.1	211	7.98	25	20
4	4	0.8	1.2	12.6	297	4.95	32	25

Ambient Temperature	35	40	45	50	55
Correction Factor	0.96	0.92	0.87	0.71	0.50

Packing : Packing is available in Coil/Reel/Drum with Meters/Yards/Feet.

- Note:
- Other sizes are available upon request
 - The tolerance on the cable overall diameter shall be ± 2.0 mm.
 - 6 sq mm conductor size and 105°C conductor operating temperature is not covered is BS EN 50525-2-11 hence cable designation code is not provided on printing and offered GEN. TO BS EN 50525-2-11, IEC 60227-5.

CLASS 5 FLEXIBLE COPPER CONDUCTOR DATA

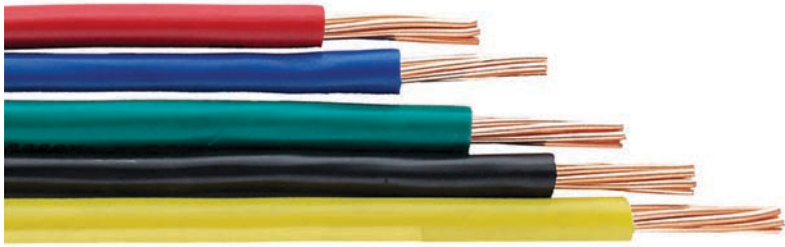
Size mm ²	Maximum diameter of wires in conductor	Maximum conductor resistance at 20° C (Plain wires)	Maximum conductor resistance at 20° C (Tinned wires)
	mm	Ω/km	Ω/km
1	0.21	19.5	20
1.5	0.26	13.3	13.7
2.5	0.26	7.98	8.21
4	0.31	4.95	5.09
6	0.31	3.3	3.39
10	0.41	1.91	1.95
16	0.41	1.21	1.24
25	0.41	0.78	0.795
35	0.41	0.554	0.565
50	0.41	0.386	0.393
70	0.51	0.272	0.277
95	0.51	0.206	0.210
120	0.51	0.161	0.164
150	0.51	0.129	0.132
185	0.51	0.106	0.108
240	0.51	0.0801	0.0817
300	0.51	0.0641	0.0654
400	0.51	0.0486	0.0495
500	0.61	0.0384	0.0391
630	0.61	0.0287	0.0292

| Heat Resistant PVC Insulated



BASEC CERTIFIED BS 6231

HEAT RESISTANT PVC INSULATED SINGLE CORE CONTROL FLEXIBLES 105°C



Application

High temperature, flame retardant cable designed for use in switch control, relay and instrumentation panels of power switchgear and for purposes such as internal connectors in rectifier equipment, motor starters and controllers.

- Conductor** : Class 5 flexible plain copper conductor to BS EN 60228:2005 (previously BS6360)
- Insulation** : PVC (Polyvinyl Chloride)
- Color Code** : Black, Red, Blue, Yellow, Green / Yellow, Grey, Brown, Orange, White, Green
- Temperature Rating** : These cables are suitable for operation in the range of -15°C to +105°C
- Voltage Rating** : 600 / 1000V
- Harmonised Code** : Upto 1.0mm² flexible wire From 1.5mm² to 300 mm² flexible
- Minimum Bending Radius** : 6 x overall diameter

SINGLE CORE HRPVC INSULATED UNSHEATHED TYPE (NYAF) FLEXIBLES

Calculation Details							
Nominal Cross Section (Sq. mm)	Nominal Insulation Thickness (mm)	No. of Strands	Nominal Strand Diameter (mm)	Max DC Resistance at 20° C (ohms/km)	Nominal Overall Diameter (mm)	Approx. Net Weight Kg/Km	Current Carrying Capacity (A)
1x0.5	0.6	16	0.2	39	2.65	9	8.00
1x0.75	0.6	24	0.2	26	2.85	12	10.00
1x1	0.6	32	0.2	19.5	3.00	15	14.00
1x1.5	0.7	30	0.25	13.3	3.30	21	18.00
1x2.5	0.8	50	0.25	7.98	3.75	33	24.00
1x4	0.8	56	0.3	4.95	4.40	49	32.00
1x6	0.8	84	0.3	3.30	5.10	69	42.00
1x10	1.0	80	0.4	1.91	6.70	116	55.00
1x16	1.0	126	0.4	1.21	9.00	181	75.00
1x25	1.2	196	0.4	0.78	10.55	279	100.00
1x35	1.2	276	0.4	0.554	11.90	381	125.00
1x50	1.4	396	0.4	0.386	14.75	544	165.00
1x70	1.4	360	0.5	0.272	16.60	753	240.00
1x95	1.6	475	0.5	0.206	18.80	993	300.00
1x120	1.6	608	0.5	0.161	20.40	1221	325.00
1x150	1.8	750	0.5	0.124	22.30	1450	352.00
1x185	1.8	925	0.5	0.0991	24.00	1810	400.00
1x240	2.1	1200	0.5	0.0754	28.00	2370	475.00
1x300	2.1	1500	0.5	0.0601	30.00	2960	500.00

*ZHFR available upon request



CONTROL CABLES - BS EN 60228 (CU / PVC/ PVC) YSLY-IEC 60228

Application

- Used as interconnecting cable for measuring, controlling or regulating in control equipment.
- Suitable for fixed installation or for flexible use in conditions of light mechanical stress.

Conductors

Plain Class 5 annealed copper flexible stranded circular conductor to BS EN 60228:2005 (previously BS6360)

Temperature Rating

-15°C to -70°C

Sheath Colour

Grey RAL 7001

Insulation

PVC insulation complying with BS 7655 requirement of type TM2

Outer Sheath

PVC insulation complying with BS 50363-3 requirement of type TL2

Size Reference	No. of Conductors x Section (mm ²)	Cable Outer Diameter (mm) Nominal	Weight Approx (kg/km)
YSLY-OZ 2 x0.5	2 x0.5	4.60	32
YSLY-JZ 3G0.5	3G0.5	4.90	40
YSLY-JZ 4G0.5	4G0.5	5.30	48
YSLY-JZ 5G0.5	5G0.5	7.30	57
YSLY-JZ 7G0.5	7G0.5	6.40	74
YSLY-JZ 12G0.5	12G0.5	8.50	129
YSLY-JZ 18G0.5	18G0.5	10.00	184
YSLY-JZ 19G0.5	19G0.5	10.00	187
YSLY-JZ 25G0.5	25G0.5	12.30	270
YSLY-JZ 27G0.5	27G0.5	12.25	275
YSLY-JZ 30G0.5	30G0.5	12.70	300
YSLY-JZ 34G0.5	34G0.5	13.30	333
YSLY-JZ 40G0.5	40G0.5	14.50	394
YSLY-OZ 2x0.75	2x0.75	5.00	40
YSLY-JZ 3G0.75	3G0.75	5.30	50
YSLY-JZ 4G0.75	4G0.75	5.70	60
YSLY-JZ 5G0.75	5G0.75	6.50	77
YSLY-JZ 7G0.75	7G0.75	7.00	96
YSLY-JZ 12G0.75	12G0.75	9.50	172
YSLY-JZ 18G0.75	18G0.75	11.20	247
YSLY-JZ 19G0.75	19G0.75	11.20	253
YSLY-JZ 25G0.75	25G0.75	13.70	358
YSLY-JZ 27G0.75	27G0.75	13.70	370
YSLY-JZ 30G0.75	30G0.75	13.70	400
YSLY-JZ 34G0.75	34G0.75	14.10	442
YSLY-JZ 42G0.75	42G0.75	16.00	534
YSLY-JZ 50G0.75	50G0.75	17.90	653
YSLY-JZ 61G0.75	61G0.75	19.80	798

Size Reference	No. of Conductors x Section (mm ²)	Cable Outer Diameter (mm) Nominal	Weight Approx (kg/km)
YSLY-OZ 2x1	2x1	5.40	49
YSLY-JZ 3G 1	3G 1	5.70	60
YSLY-JZ 4G 1	4G 1	6.40	78
YSLY-JZ 5G 1	5G 1	7.00	94
YSLY-JZ 7G 1	7G 1	7.80	123
YSLY-JZ 12G 1	12G 1	10.30	213
YSLY-JZ 18G 1	18G 1	12.40	313
YSLY-JZ 19G1	16G1	12.40	321
YSLY-JZ 25G1	25G1	14.90	445
YSLY-JZ 27G1	27G1	14.90	460
YSLY-JZ 34G1	34G1	16.00	552
YSLY-JZ 37G1	37G1	17.00	613
YSLY-JZ 42G1	42G1	17.80	683
YSLY-JZ 50G1	50G1	19.50	817
YSLY-JZ 61G1	61G1	21.60	1000
YSLY-OZ 2x1.5	2x1.5	6.00	64
YSLY-JZ 3G 1.5	3G 1.5	6.35	80
YSLY-JZ 4G 5	4G 1.5	6.90	100
YSLY-JZ 5G 1.5	5G 1.5	7.80	126
YSLY-JZ 7G 1.5	7G 1.5	8.40	159
YSLY-JZ 12G 1.5	12G 1.5	11.35	282
YSLY-JZ 18G 1.5	18G 1.5	13.60	413
YSLY-JZ 19G 1.5	19G 1.5	13.60	424
YSLY-JZ 25G 1.5	25G 1.5	16.60	594
YSLY-JZ 27G 1.5	27G 1.5	16.60	617
YSLY-JZ 37G 1.5	37G 1.5	18.40	800
YSLY-JZ 42G 1.5	42G 1.5	19.70	913
YSLY-JZ 50G 1.5	50G 1.5	21.75	1100
YSLY-JZ 61G 1.5	61G 1.5	23.80	1329
YSLY-OZ 2x2.5	2x2.5	7.30	99
YSLY-JZ 3G 2.5	3G 2.5	8.00	129
YSLY-JZ 4G 2.5	4G 2.5	8.70	161
YSLY-JZ 5G 2.5	5G 2.5	9.70	201
YSLY-JZ 7G 2.5	7G 2.5	10.55	258
YSLY-JZ 12G 2.5	12G 2.5	14.50	464
YSLY-JZ 18G 2.5	18G 2.5	17.30	678
YSLY-JZ 19G 2.5	19G 2.5	17.30	696
YSLY-JZ 25G 2.5	25G 2.5	21.00	970
YSLY-JZ 3G4	3G4	9.30	189
YSLY-JZ 4G4	4G4	10.20	239
YSLY-JZ 5G4	5G4	11.40	299
YSLY-JZ 3G6	3G6	11.30	281
YSLY-JZ 4G6	4G6	12.50	359
YSLY-JZ 5G6	5G6	14.00	449
YSLY-JZ 4G10	4G10	15.30	568
YSLY-JZ 4G16	4G16	19.10	897
YSLY-JZ 4G25	4G25	23.40	1373

TOPEX

TOPEX
Xtrem





ORDERING ADVICE

Due to the wide range of cables in the catalogue, it is advisable, when ordering, to provide as much information as possible. Please use the following table as a guide:

- 1) Cable standard / specification number.
- 2) Voltage designation.
- 3) Number of cores.
- 4) Conductor size and type/class.
- 5) Color of outer sheath.
- 6) Length of cables required and individual drum lengths.*
- 7) Any other special requirement, e.g. drum weight limitation, etc.

* Cables are normally supplied in lengths of 100 metres, 500 metres and 1000 metres depending on conductor size. Other lengths can be supplied if required.

TOPEX

STECKER



Industrial Plugs & Sockets

TOPEX

STECKER

ABOUT

STECKER

Stecker series from the house of Topex Industries, offers plugs, mobile sockets, wall sockets, flanges sockets, multiple outlet sockets, plugs with phase inverter, switched & interlocked sockets, plugs & sockets for reefer container, 7 pin plugs & sockets & distribution boards.

Stecker products are manufactured in state-of-the-art manufacturing facility in India and are impeccable in quality standards.

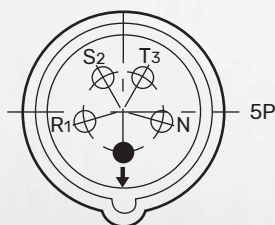
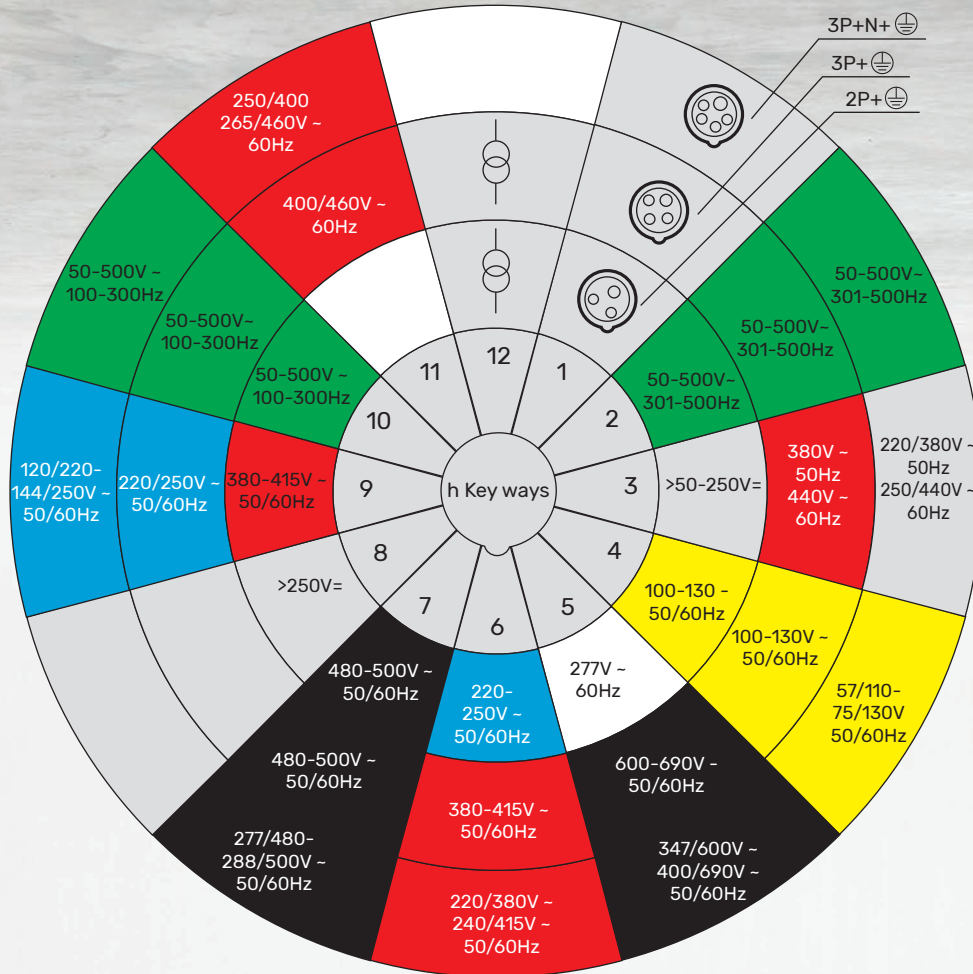
Table of Contents

63	Industrial Plugs
67	Mobile Sockets
71	Wall Sockets
77	Flanged/Panel Sockets
85	Wall Sockets-Combo
89	Switched & Interlocked Sockets
93	Multiple Outlet Sockets
101	Distribution Boxes Series

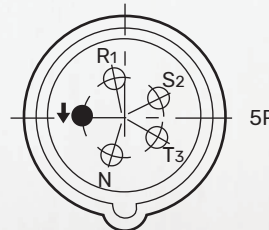


INDUSTRIAL PLUGS / SOCKET-OUTLETS

Contact screws are accessible from one direction. Base and cover are fixed with quick-lock system to twist mating tightly, the rear part use the thread to seal and lock the cable without using other insulating clamp to fix, saving time without fixing screws. The user disassembles and assembles conveniently, safe and quick. New type cable gland tightening the cable, sealing the cable as well. The material of Stecker series industrial plugs and sockets has the best impact resistance and toughness. When set them into the -25°C environment after 16 hours, and then drop from 80cm high place, they are still maintained perfectly.



380V=6 o'clock



220V=9 o'clock

SOCKET (front view)

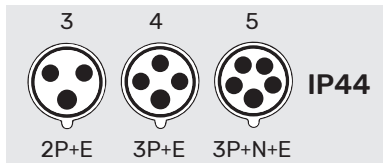
LOW VOLTAGE >50V

INDUSTRIAL PLUGS / SOCKET-OUTLETS

Position of earth contact for different voltages and frequencies, referred to clockwise position. Meanwhile, in case of using colors for coding the different voltages and frequencies, it must be referred to the following color turntable.



INDUSTRIAL PLUGS



110V 50A, 60Hz	230V 50A, 60Hz	400V 50A, 60Hz	500V 50A, 60Hz	>50-500V 100-300Hz	>50-500V 300-500Hz
--------------------------	--------------------------	--------------------------	--------------------------	---------------------------------	---------------------------------

STR013-4 16A 3P 4H
STR023-4 32A 3P 4H

STR013 16A 3P 6H
STR023 32A 3P 6H

STR014 16A 4P 6H
STR024 32A 4P 6H

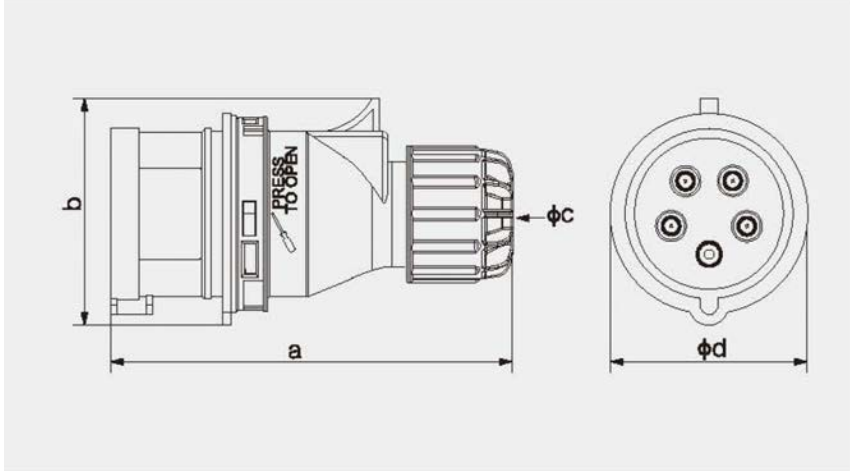
STR015 16A 5P 6H
STR025 32A 5P 6H

AMPER	POLES	3 p	4 p	5 p	3 p	4 p	5 p	3 p	4 p	5 p	3 p	4 p	5 p	3 p	4 p	5 p	
		4 h	4 h	4 h	6 h	9 h	9 h	9 h	6 h	6 h	7 h	7 h	7 h	10 h	10 h	10 h	2 h

IP44 Plugs

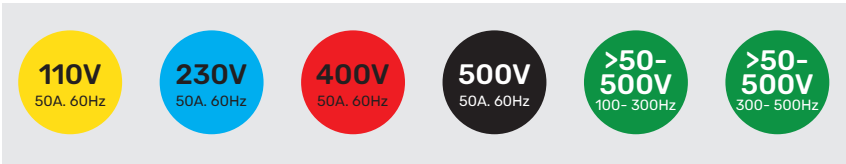
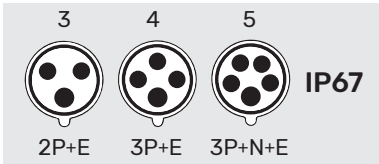
16 A	3	STR013-4	STR013	STR013-9	STR013-7	STR013-10	STR013-2
	4	STR014-4	STR014-9	STR014	STR014-7	STR014-10	STR014-2
32 A	5	STR015-4	STR015-9	STR015	STR015-7	STR015-10	STR015-2
	3	STR023-4	STR023	STR023-9	STR023-7	STR023-10	STR023-2
	4	STR024-4	STR024-9	STR024	STR024-7	STR024-10	STR024-2
32 A	5	STR025-4	STR025-9	STR025	STR025-7	STR025-10	STR025-2

Dimension



Current	16A			32A			
	Pole	3	4	5	3	4	5
a		120	125	133	150	150	155
b		57	67.5	75.5	80.5	80.5	89.5
c		15	15	17	22	22	22
d		53.5	61	68	72	72	79.5
Cable size(mm ²)		1-2.5			2.5-6		

PLUGS

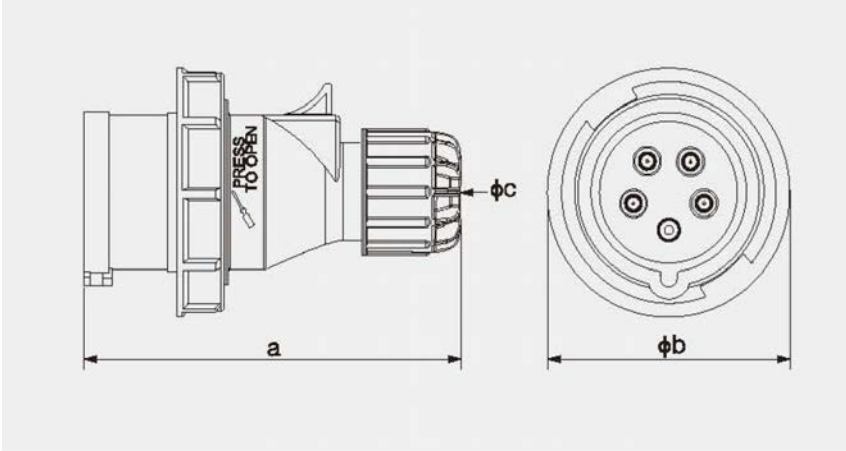


AMPER	POLES	3 p	4 p	5 p	3 p	4 p	5 p	3 p	4 p	5 p	3 p	4 p	5 p	3 p	4 p	5 p	
		4 h	4 h	4 h	6 h	9 h	9 h	9 h	6 h	6 h	7 h	7 h	7 h	10 h	10 h	10 h	2 h

IP67 Plugs

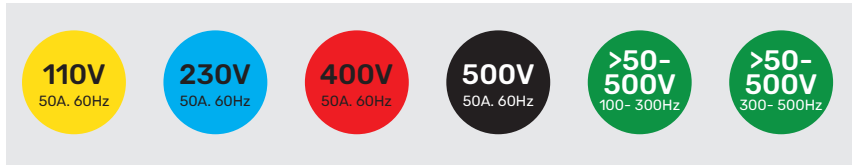
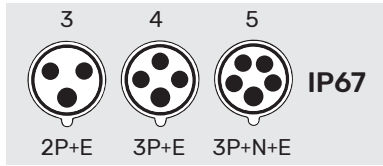
16 A	3	STR0131-4	STR0131	STR0131-9	STR0131-7	STR0131-10	STR0131-2
	4	STR0141-4	STR0141-9	STR0141	STR0141-7	STR0141-10	STR0141-2
	5	STR0151-4	STR0151-9	STR0151	STR0151-7	STR0151-10	STR0151-2
32 A	3	STR0231-4	STR0231	STR0231-9	STR0231-7	STR0231-10	STR0231-2
	4	STR0241-4	STR0241-9	STR0241	STR0241-7	STR0241-10	STR0241-2
	5	STR0251-4	STR0251-9	STR0251	STR0251-7	STR0251-10	STR0251-2

Dimension



Current	16A			32A		
Pole	3	4	5	3	4	5
a	120	125	133	150	150	155
b	71	79	87	93	93	99.5
c	15	15	17	22	22	22
Cable size(mm ²)	1-2.5			2.5-6		

PLUGS



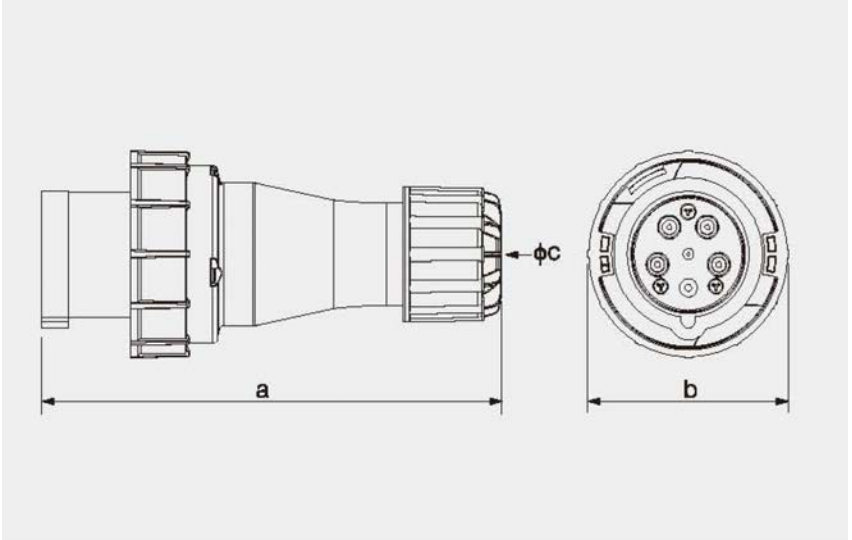
AMPER	POLES	63A			125A			125A			125A			125A					
		3p	4p	5p	3p	4p	5p	3p	4p	5p	3p	4p	5p	3p	4p	5p			
		4h	4h	4h	6h	9h	9h	9h	6h	6h	7h	7h	7h	10h	10h	10h	2h	2h	2h

IP67 Plugs

Current	Pole	Part No.	Part No.	Part No.	Part No.	Part No.	Part No.
63 A	3	STR0331-4	STR0331	STR0331-9	STR0331-7	STR0331-10	STR0331-2
	4	STR0341-4	STR0341-9	STR0341	STR0341-7	STR0341-10	STR0341-2
	5	STR0351-4	STR0351-9	STR0351	STR0351-7	STR0351-10	STR0351-2
125 A	3	STR0431-4	STR0431	STR0431-9	STR0431-7	STR0431-10	STR0431-2
	4	STR0441-4	STR0441-9	STR0441	STR0441-7	STR0441-10	STR0441-2
	5	STR0451-4	STR0451-9	STR0451	STR0451-7	STR0451-10	STR0451-2



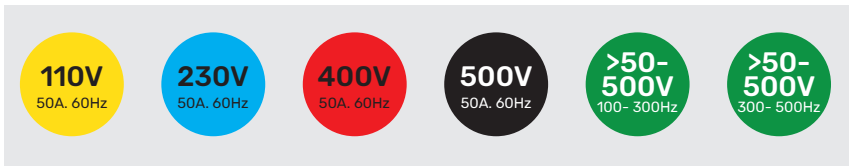
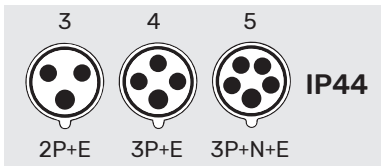
Dimension



Current	63A			125A		
	3	4	5	3	4	5
a	260	260	260	301	301	301
b	113.5	113.5	113.5	126	126	126
c	32	32	32	45	45	45
Cable size(mm ²)	6-16			16-50		



MOBILE SOCKETS



STR213-4 16A 3P 4H
STR223-4 32A 3P 4H

STR213 16A 3P 6H
STR223 32A 3P 6H

STR214 16A 4P 6H
STR224 32A 4P 6H

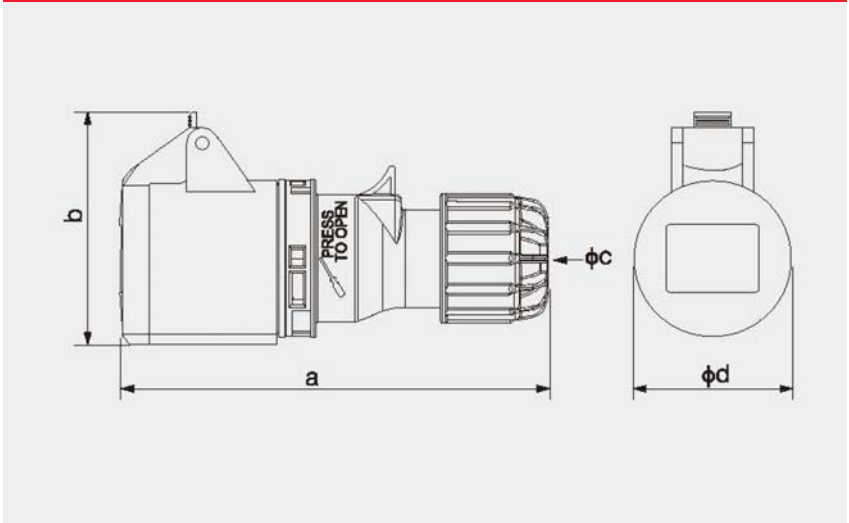
STR215 16A 5P 6H
STR225 32A 5P 6H

AMPER	POLES	3 p	4 p	5 p	3 p	4 p	5 p	3 p	4 p	5 p	3 p	4 p	5 p	3 p	4 p	5 p
	4 h															
	4 h															
	4 h															
	6 h															
	9 h															
	9 h															
	9 h															
	6 h															
	6 h															
	7 h															
	7 h															
	7 h															
	10 h															
	10 h															
	10 h															
	2 h															
	2 h															
	2 h															

IP44 Mobile Sockets

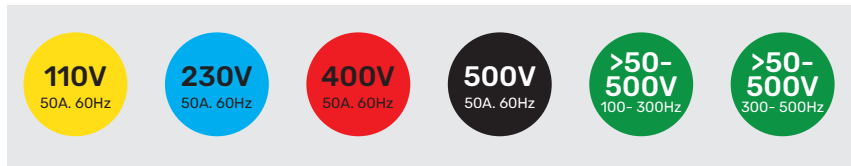
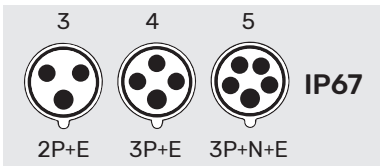
AMPER	POLES	3 p	4 p	5 p	3 p	4 p	5 p	3 p	4 p	5 p	3 p	4 p	5 p	3 p	4 p	5 p
16 A	3	STR213-4	STR213	STR213-9	STR213-7	STR213-10	STR213-2									
	4	STR214-4	STR214-9	STR214	STR214-7	STR214-10	STR214-2									
	5	STR215-4	STR215-9	STR215	STR215-7	STR215-10	STR215-2									
32 A	3	STR223-4	STR223	STR223-9	STR223-7	STR223-10	STR223-2									
	4	STR224-4	STR224-9	STR224	STR224-7	STR224-10	STR224-2									
	5	STR225-4	STR225-9	STR225	STR225-7	STR225-10	STR225-2									

Dimension



Current	16A			32A		
Pole	3	4	5	3	4	5
a	130	135	142	162	162	163.5
b	75.6	83	89.5	94	94	100
c	15	15	17	22	22	22
d	52	58	62.8	64.6	64.6	71
Cable size(mm ²)	1-2.5			2.5-6		

MOBILE SOCKETS



STR2131-4 16A 3P 4H
STR2231-4 32A 3P 4H

STR2131 16A 3P 6H
STR2231 32A 3P 6H

STR2141 16A 4P 6H
STR2241 32A 4P 6H

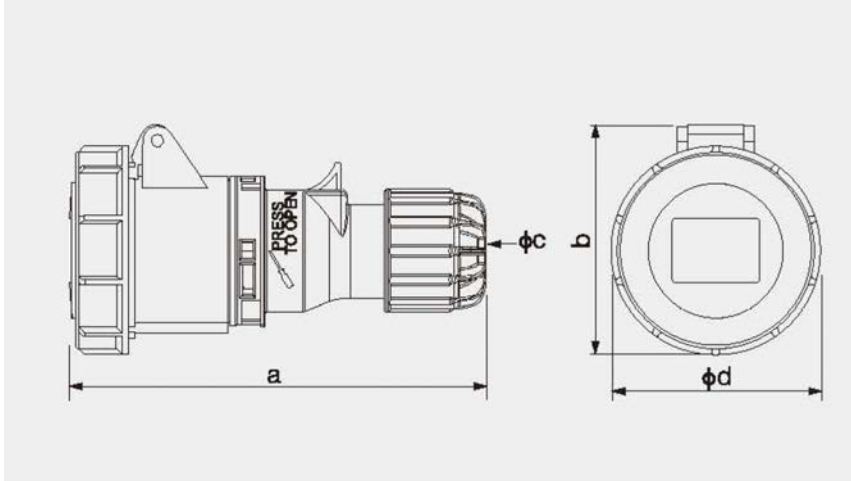
STR2151 16A 5P 6H
STR2251 32A 5P 6H

AMPER	POLES	3 p	4 p	5 p	3 p	4 p	5 p	3 p	4 p	5 p	3 p	4 p	5 p	3 p	4 p	5 p	
		4 h	4 h	4 h	6 h	9 h	9 h	9 h	6 h	6 h	7 h	7 h	7 h	10 h	10 h	10 h	2 h

IP67 Mobile Sockets

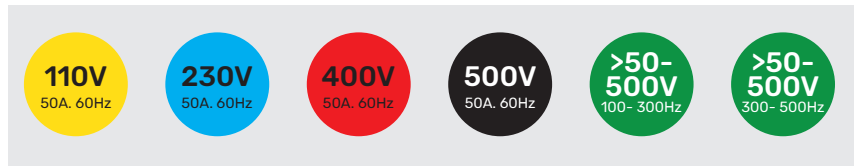
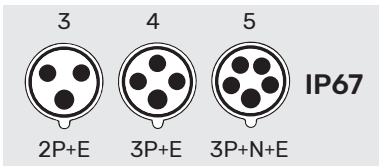
16 A	3	STR2131-4	STR2131	STR2131-9	STR2131-7	STR2131-10	STR2131-2
	4	STR2141-4	STR2141-9	STR2141	STR2141-7	STR2141-10	STR2141-2
	5	STR2151-4	STR2151-9	STR2151	STR2151-7	STR2151-10	STR2151-2
32 A	3	STR2231-4	STR2231	STR2231-9	STR2231-7	STR2231-10	STR2231-2
	4	STR2241-4	STR2241-9	STR2241	STR2241-7	STR2241-10	STR2241-2
	5	STR2251-4	STR2251-9	STR2251	STR2251-7	STR2251-10	STR2251-2

Dimension



Current	16A			32A		
Pole	3	4	5	3	4	5
a	134	138	146	166	166	171
b	78.5	85	93	98	98	104
c	15	15	17	22	22	22
d	71	79	86.5	93.5	93.5	99.5
Cable size(mm ²)	1-2.5			2.5-6		

MOBILE SOCKETS



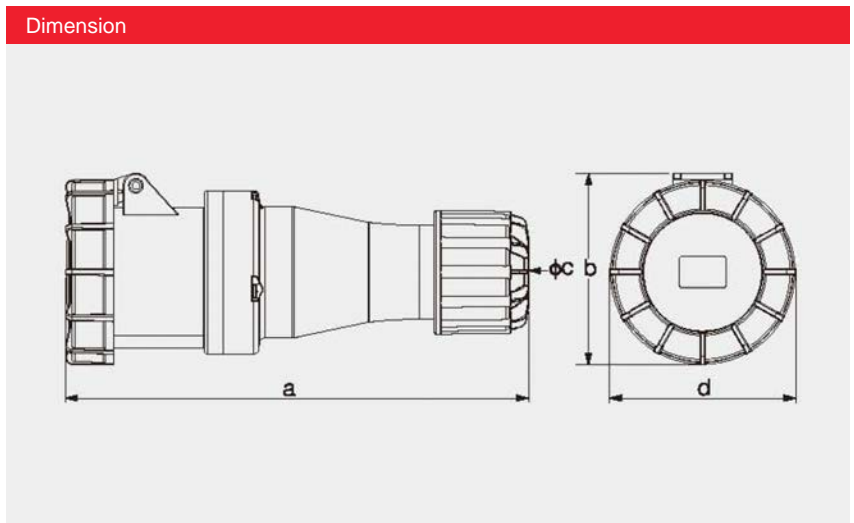
STR2331 63A 3P 4H
STR2431 125A 3P 4H

AMPER	POLES	3 p	4 p	5 p	3 p	4 p	5 p	3 p	4 p	5 p	3 p	4 p	5 p	3 p	4 p	5 p	
		4 h	4 h	4 h	6 h	9 h	9 h	9 h	6 h	6 h	7 h	7 h	7 h	10 h	10 h	10 h	2 h

IP67 Mobile Sockets

63 A	3	STR2331-4	STR2331	STR2331-9	STR2331-7	STR2331-10	STR2331-2
	4	STR2341-4	STR2341-9	STR2341	STR2341-7	STR2341-10	STR2341-2
	5	STR2351-4	STR2351-9	STR2351	STR2351-7	STR2351-10	STR2351-2
125 A	3	STR2431-4	STR2431	STR2431-9	STR2431-7	STR2431-10	STR2431-2
	4	STR2441-4	STR2441-9	STR2441	STR2441-7	STR2441-10	STR2441-2
	5	STR2451-4	STR2451-9	STR2451	STR2451-7	STR2451-10	STR2451-2

STR2341 63A 4P 6H
STR2441 125A 4P 6H



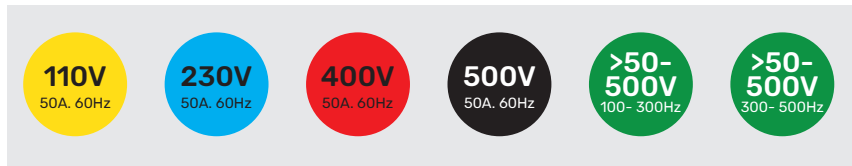
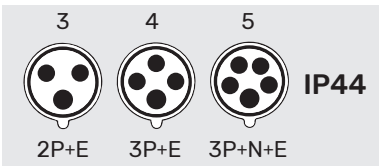
STR2351 63A 5P 6H
STR2451 125A 5P 6H

Current	63A			125A			
	Pole	3	4	5	3	4	5
a		260	260	260	319	319	319
b		113.5	113.5	113.5	130	130	130
c		32	32	32	45	45	45
d		111	111	111	127	127	127
Cable size(mm ²)		6-16			16-50		

Wall Sockets



WALL SOCKETS



STR113-4 16A 3P 4H
STR123-4 32A 3P 4H

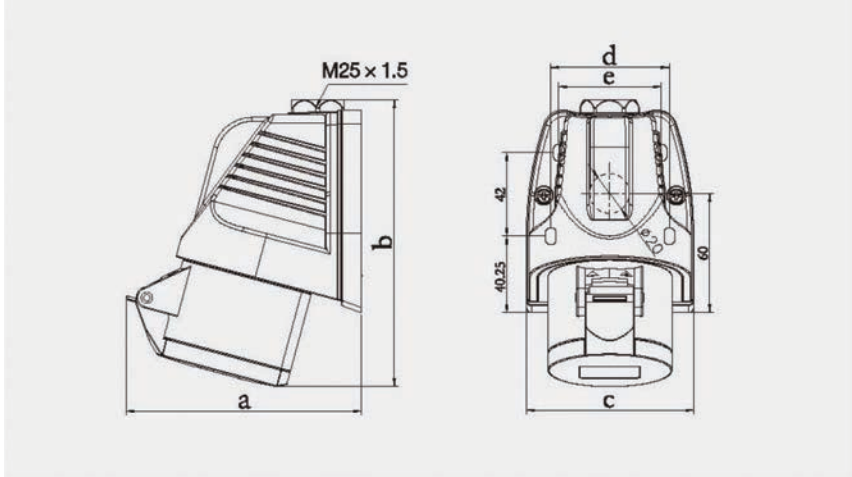
AMPER	POLES	3 p	4 p	5 p	3 p	4 p	5 p	3 p	4 p	5 p	3 p	4 p	5 p	3 p	4 p	5 p	
		4 h	4 h	4 h	6 h	9 h	9 h	9 h	6 h	6 h	7 h	7 h	7 h	10 h	10 h	10 h	2 h

IP44 Wall Sockets

16 A	3	STR113-4	STR113	STR113-9	STR113-7	STR113-10	STR113-2
	4	STR114-4	STR114-9	STR114	STR114-7	STR114-10	STR114-2
	5	STR115-4	STR115-9	STR115	STR115-7	STR115-10	STR115-2
32 A	3	STR123-4	STR123	STR123-9	STR123-7	STR123-10	STR123-2
	4	STR124-4	STR124-9	STR124	STR124-7	STR124-10	STR124-2
	5	STR125-4	STR125-49	STR125	STR125-7	STR125-10	STR125-2

STR113 16A 3P 6H
STR123 32A 3P 6H

Dimension

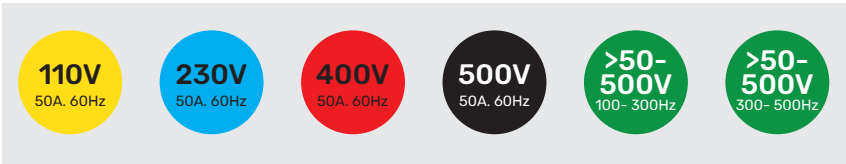
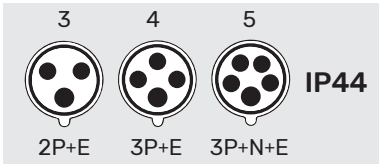


STR114 16A 4P 6H
STR124 32A 4P 6H

STR115 16A 5P 6H
STR125 32A 5P 6H

Current	16A			32A		
Pole	3	4	5	3	4	5
a	117	117	118.5	120	120	119
b	142	142.5	114.5	156	156	158
c	84.4	84.4	84.4	84.4	84.4	84.4
d	60	60	60	60	60	60
e	52	52	52	52	52	52
Cable size(mm ²)	1.5-4			2.5-10		

WALL SOCKETS

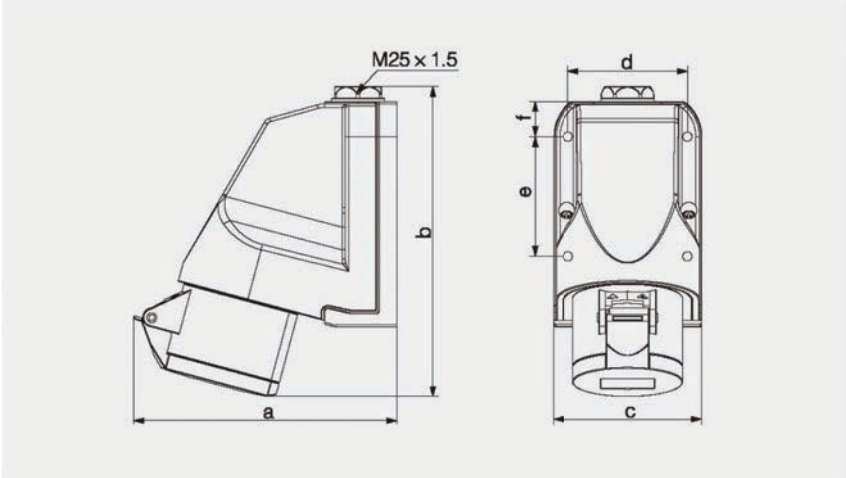


AMPER	POLES	3 p	4 p	5 p	3 p	4 p	5 p	3 p	4 p	5 p	3 p	4 p	5 p	3 p	4 p	5 p	
		4 h	4 h	4 h	6 h	9 h	9 h	9 h	6 h	6 h	7 h	7 h	7 h	10 h	10 h	10 h	2 h

IP44 Wall Sockets

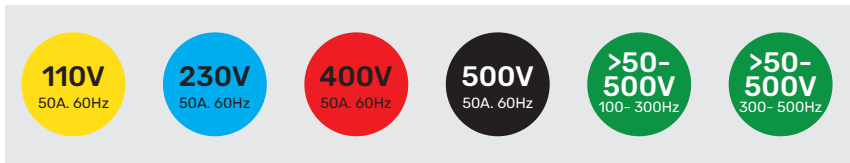
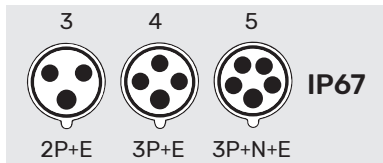
16 A	3	STR113-4	STR113	STR113-9	STR113-7	STR113-10	STR113-2
	4	STR114-4	STR114-9	STR114	STR114-7	STR114-10	STR114-2
	5	STR115-4	STR115-9	STR115	STR115-7	STR115-10	STR115-2
32 A	3	STR123-4	STR123	STR123-9	STR123-7	STR123-10	STR123-2
	4	STR124-4	STR124-9	STR124	STR124-7	STR124-10	STR124-2
	5	STR125-4	STR125-9	STR125	STR125-7	STR125-10	STR125-2

Dimension



Current	16A			32A		
Pole	3	4	5	3	4	5
a	147	148	149.5	151	151	150
b	173.5	175	175	188.5	188.5	189.5
c	84.4	84.4	84.4	84.4	84.4	84.4
d	68	68	68	68	68	68
e	68	68	68	68	68	68
f	20	20	20	20	20	20
Cable size(mm ²)	1.5-4			2.5-10		

WALL SOCKETS



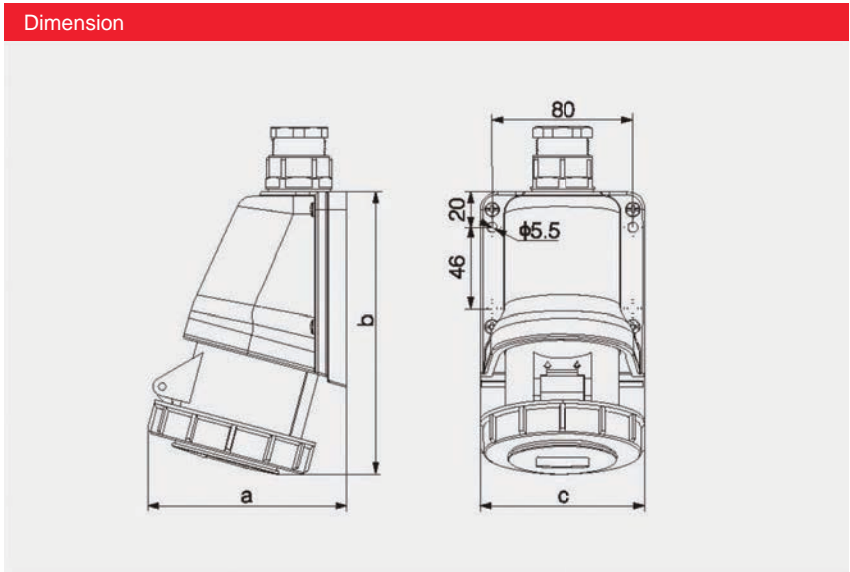
STR1131-4 16A 3P 4H
STR1231-4 32A 3P 4H

AMPER	POLES	110V			230V			400V			500V			>50-500V		
		3p	4p	5p	3p	4p	5p	3p	4p	5p	3p	4p	5p	3p	4p	5p
		4h	4h	4h	6h	9h	9h	9h	6h	6h	7h	7h	7h	10h	10h	10h

IP67 Wall Sockets

		3	4	5	3	4	5	3	4	5	3	4	5	3	4	5
16 A	3	STR1131-4	STR1131	STR1131-9	STR1131-7	STR1131-10	STR1131-2									
	4	STR1141-4	STR1141-9	STR1141	STR1141-7	STR1141-10	STR1141-2									
	5	STR1151-4	STR1151-9	STR1151	STR1151-7	STR1151-10	STR1151-2									
32 A	3	STR1231-4	STR1231	STR1231-9	STR1231-7	STR1231-10	STR1231-2									
	4	STR1241-4	STR1241-9	STR1241	STR1241-7	STR1241-10	STR1241-2									
	5	STR1251-4	STR1251-9	STR1251	STR1251-7	STR1251-10	STR1251-2									

STR1131 16A 3P 6H
STR1231 32A 3P 6H



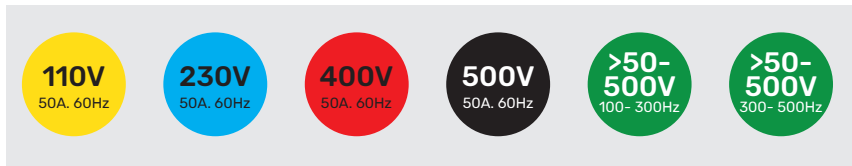
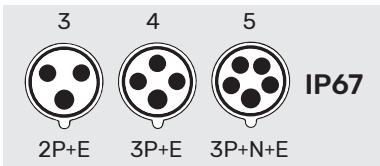
STR1141 16A 4P 6H
STR1241 32A 4P 6H

STR1151 16A 5P 6H
STR1251 32A 5P 6H

Current	16A			32A			
	Pole	3	4	5	3	4	5
a		101	104	107	114	114	116
b		150	150	151	162	162	163
c		93.5	93.5	93.5	93.5	93.5	93.5
Cable size(mm ²)		1.5-4			2.5-10		



WALL SOCKETS



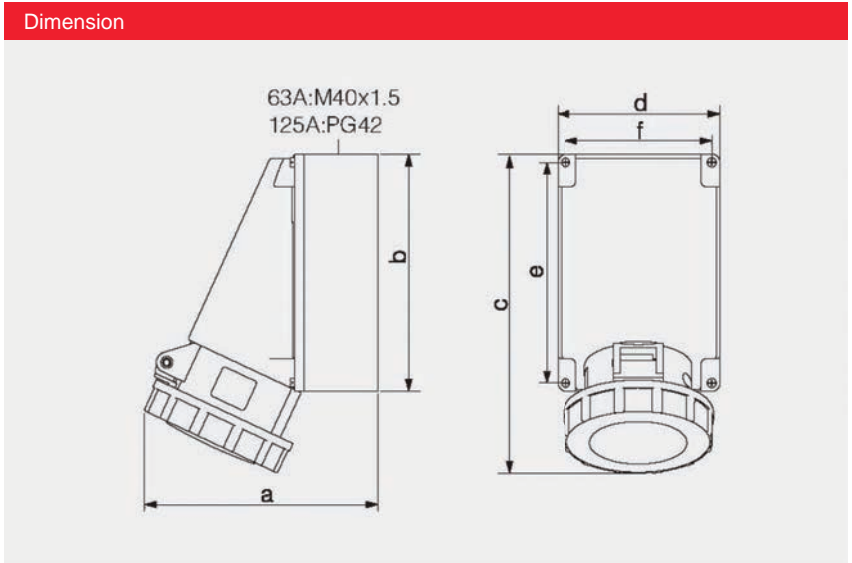
STR1331 63A 3P 6H
STR1431 125A 3P 6H

AMPER	POLES	3 p	4 p	5 p	3 p	4 p	5 p	3 p	4 p	5 p	3 p	4 p	5 p	3 p	4 p	5 p	
		4 h	4 h	4 h	6 h	9 h	9 h	9 h	6 h	6 h	7 h	7 h	7 h	10 h	10 h	10 h	2 h

IP67 Wall Sockets

63 A	3	STR1331-4	STR1331	STR1331-9	STR1331-7	STR1331-10	STR1331-2
	4	STR1341-4	STR1341-9	STR1341	STR1341-7	STR1341-10	STR1341-2
	5	STR1351-4	STR1351-9	STR1351	STR1351-7	STR1351-10	STR1351-2
125 A	3	STR1431-4	STR1431	STR1431-9	STR1431-7	STR1431-10	STR1431-2
	4	STR1441-4	STR1441-9	STR1441	STR1441-7	STR1441-10	STR1441-2
	5	STR1451-4	STR1451-9	STR1451	STR1451-7	STR1451-10	STR1451-2

STR1341 63A 4P 6H
STR1441 125A 4P 6H

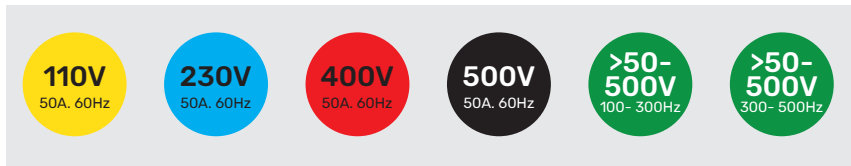
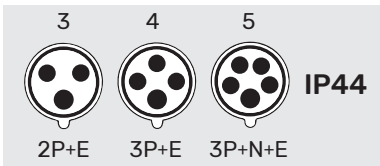


STR1351 63A 5P 6H
STR1451 125A 5P 6H

Current	63A			125A			
	Pole	3	4	5	3	4	5
a		171	171	171	165	165	165
b		170	170	170	230	230	230
c		230	230	230	330	330	330
d		118	118	118	160	160	160
e		135	135	135	240	240	240
f		105	105	105	160	160	160
Cable size(mm ²)		6-25			25-70		



FLANGED/PANEL SOCKETS



STR313-4 16A 3P 4H
STR323-4 32A 3P 4H

STR313 16A 3P 6H
STR323 32A 3P 6H

STR314 16A 4P 6H
STR324 32A 4P 6H

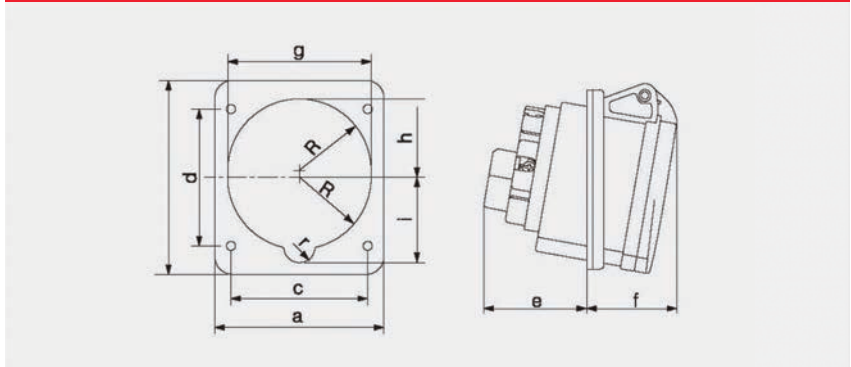
STR315 16A 5P 6H
STR325 32A 5P 6H

AMPER	POLES	3 p	4 p	5 p	3 p	4 p	5 p	3 p	4 p	5 p	3 p	4 p	5 p	3 p	4 p	5 p	
		4 h	4 h	4 h	6 h	9 h	9 h	9 h	6 h	6 h	7 h	7 h	7 h	10 h	10 h	10 h	2 h

IP44 Flanged/Panel Sockets

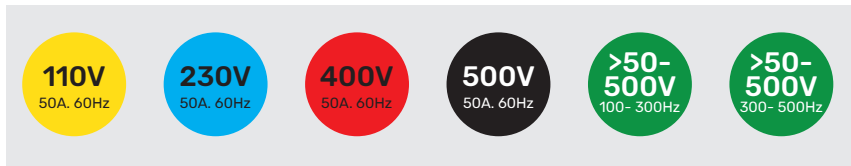
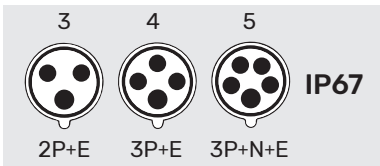
16 A	3	STR313-4	STR313	STR313-9	STR313-7	STR313-10	STR313-2
	4	STR314-4	STR314-9	STR314	STR314-7	STR314-10	STR314-2
	5	STR315-4	STR315-9	STR315	STR315-7	STR315-10	STR315-2
32 A	3	STR323-4	STR323	STR323-9	STR323-7	STR323-10	STR323-2
	4	STR324-4	STR324-9	STR324	STR324-7	STR324-10	STR324-2
	5	STR325-4	STR325-9	STR325	STR325-7	STR325-10	STR325-2

Dimension



Current	16A			32A			
	Pole	3	4	5	3	4	5
a		75.5	75.5	75.5	75.5	75.5	80
b		86.5	86.5	86.5	86.5	86.5	90
c		61	61	61	61	61	65
d		61	61	61	61	61	70
e		36	40	40	55	55	51
f		37	40	41	42	42	45
g		57.5	64	64	64	64	70
h		/	35	35	35	35	37.5
l		/	38	38	38	38	40.5
R		/	32	32	32	32	35
r		/	7	7	7	7	7
Cable size(mm ²)		1.5-4			2.5-10		

FLANGED/PANEL SOCKETS



STR3131-4 16A 3P 4H
STR3231-4 32A 3P 4H

STR3131 16A 3P 6H
STR3231 32A 3P 6H

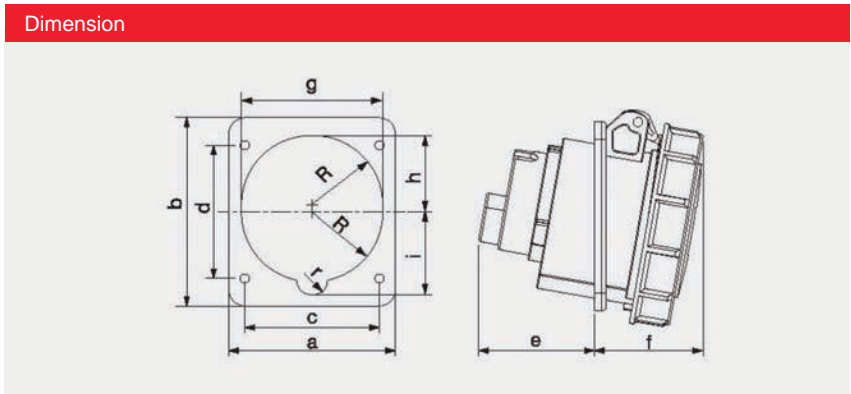
STR3141 16A 4P 6H
STR3241 32A 4P 6H

STR3151 16A 5P 6H
STR3251 32A 5P 6H

AMPER	POLES	3p	4p	5p	3p	4p	5p	3p	4p	5p	3p	4p	5p	3p	4p	5p	
		4h	4h	4h	6h	9h	9h	9h	6h	6h	7h	7h	7h	10h	10h	10h	2h

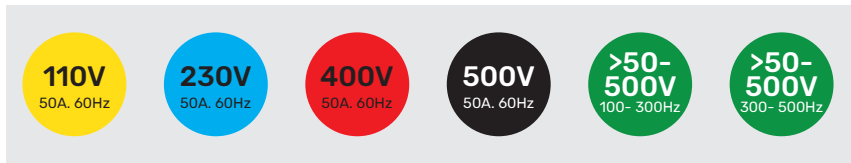
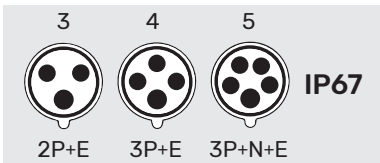
IP67 Flanged/Panel Sockets

16 A	3	STR3131-4	STR3131	STR3131-9	STR3131-7	STR3131-10	STR3131-2
	4	STR3141-4	STR3141-9	STR3141	STR3141-7	STR3141-10	STR3141-2
	5	STR3151-4	STR3151-9	STR3151	STR3151-7	STR3151-10	STR3151-2
32 A	3	STR3231-4	STR3231	STR3231-9	STR3231-7	STR3231-10	STR3231-2
	4	STR3241-4	STR3241-9	STR3241	STR3241-7	STR3241-10	STR3241-2
	5	STR3251-4	STR3251-9	STR3251	STR3251-7	STR3251-10	STR3251-2



Current	16A			32A		
Pole	3	4	5	3	4	5
a	75.5	75.5	75.5	75.5	75.5	80
b	86.5	86.5	86.5	86.5	86.5	90
c	61	61	61	61	61	65
d	61	61	61	61	61	70
e	41	41.5	40	52.5	52.5	51.5
f	45	46	48	49.5	49.5	52.5
g	64	64	64	64	64	70
h	35	35	35	35	35	37.5
l	38	38	38	38	38	40.5
R	32	32	32	32	32	35
r	7	7	7	7	7	7
Cable size(mm ²)	1.5-4			2.5-10		

FLANGED/PANEL SOCKETS

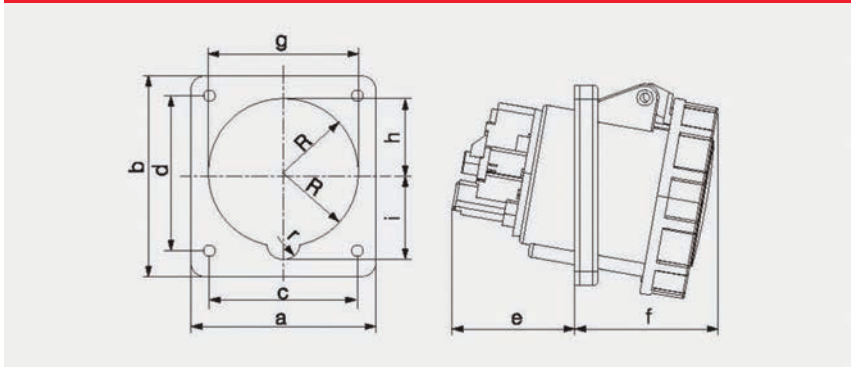


AMPER	POLES	3p	4p	5p	3p	4p	5p	3p	4p	5p	3p	4p	5p	3p	4p	5p	
		4h	4h	4h	6h	9h	9h	9h	6h	6h	7h	7h	7h	10h	10h	10h	2h

IP67 Flanged/Panel Sockets

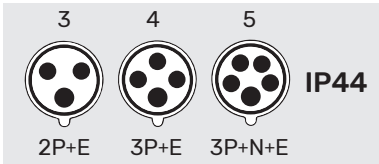
63 A	3	STR3331-4	STR3331	STR3331-9	STR3331-7	STR3331-10	STR3331-2
	4	STR3341-4	STR3341-9	STR3341	STR3341-7	STR3341-10	STR3341-2
	5	STR3351-4	STR3351-9	STR3351	STR3351-7	STR3351-10	STR3351-2
125 A	3	STR3431-4	STR3431	STR3431-9	STR3431-7	STR3431-10	STR3431-2
	4	STR3441-4	STR3441-9	STR3441	STR3441-7	STR3441-10	STR3441-2
	5	STR3451-4	STR3451-9	STR3451	STR3451-7	STR3451-10	STR3451-2

Dimension



Current	63A			125A		
	Pole	3	4	5	3	4
a	100	100	100	114	114	114
b	110	110	110	114	114	114
c	80	80	80	90	90	90
d	85	85	85	90	90	90
e	66.5	66.5	66.5	90.5	90.5	90.5
f	77.5	77.5	77.5	80.5	80.5	80.5
g	81	81	81	94	94	94
h	42.5	42.5	42.5	47	47	47
i	45.5	45.5	45.5	53	53	53
j	14.2	14.2	14.2	13	13	13
r	9	9	9	9	9	9
R	40.5	40.5	40.5	47	47	47
Cable size(mm ²)	6-25			25-70		

FLANGED/PANEL SOCKETS



STR413-4 16A 3P 4H
STR423-4 32A 3P 4H

STR413 16A 3P 6H
STR423 32A 3P 6H

STR414 16A 4P 6H
STR424 32A 4P 6H

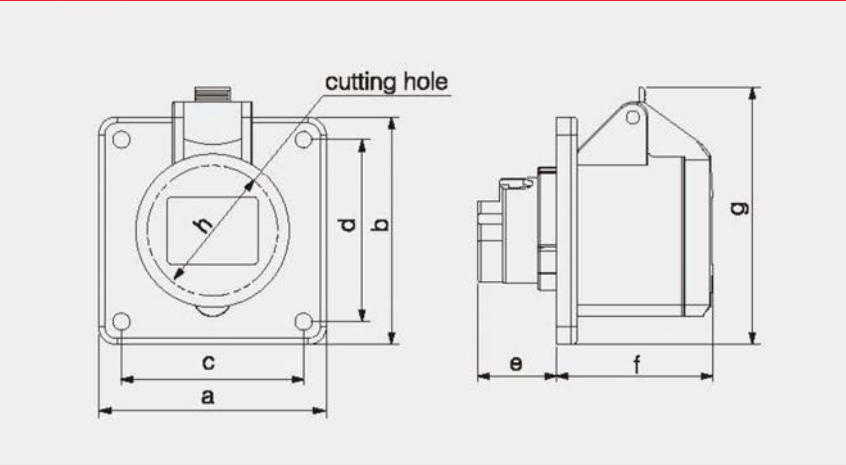
STR415 16A 5P 6H
STR425 32A 5P 6H

AMPER	POLES	3 p	4 p	5 p	3 p	4 p	5 p	3 p	4 p	5 p	3 p	4 p	5 p	3 p	4 p	5 p	
		4 h	4 h	4 h	6 h	9 h	9 h	9 h	6 h	6 h	7 h	7 h	7 h	10 h	10 h	10 h	2 h

IP44 Flanged/Panel Sockets

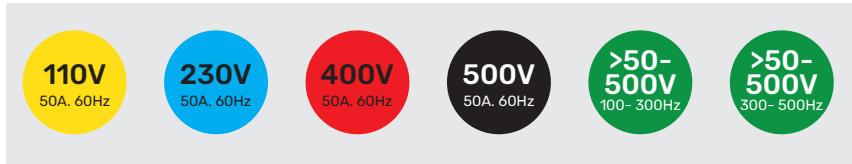
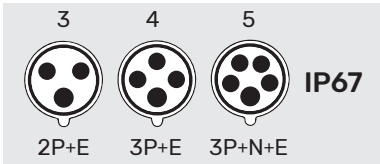
16 A	3	STR413-4	STR413	STR413-9	STR413-7	STR413-10	STR413-2
	4	STR414-4	STR414-9	STR414	STR414-7	STR414-10	STR414-2
	5	STR415-4	STR415-9	STR415	STR415-7	STR415-10	STR415-2
32 A	3	STR423-4	STR423	STR423-9	STR423-7	STR423-10	STR423-2
	4	STR424-4	STR424-9	STR424	STR424-7	STR424-10	STR424-2
	5	STR425-4	STR425-9	STR425	STR425-7	STR425-10	STR425-2

Dimension



Current	16A			32A		
Pole	3	4	5	3	4	5
a*b	75	75	75	75	75	75
c*d	60	60	60	60	60	60
e	25.8	26.3	26.2	29.2	29.4	29.8
f	52	51.5	52	62.5	51.5	62.5
g	85	86.5	91.6	93	86.5	100
h	43	49.5	56	57.5	57.5	64
Cable size(mm ²)	1.5-4			2.5-10		

FLANGED/PANEL SOCKETS



STR4131-4 16A 3P 4H
STR4231-4 32A 3P 4H

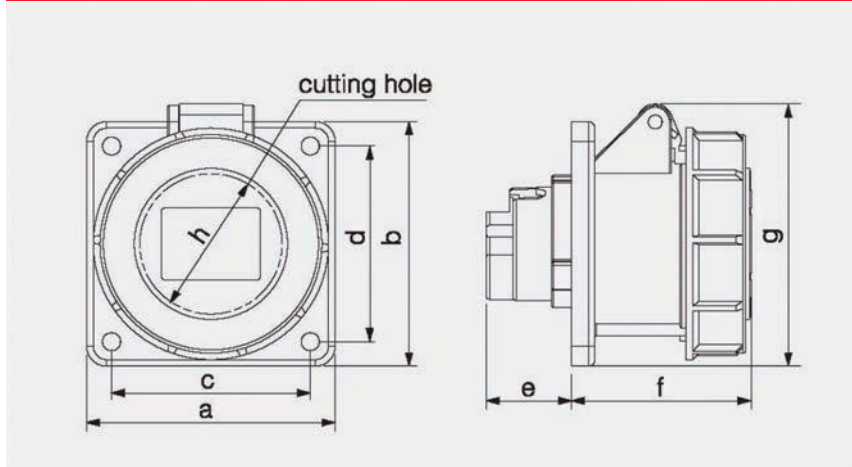
AMPER	POLES	3 p	4 p	5 p	3 p	4 p	5 p	3 p	4 p	5 p	3 p	4 p	5 p	3 p	4 p	5 p	
		4 h	4 h	4 h	6 h	9 h	9 h	9 h	6 h	6 h	7 h	7 h	7 h	10 h	10 h	10 h	2 h

IP 67 Flanged/Panel Sockets

16 A	3	STR4131-4	STR4131	STR4131-9	STR4131-7	STR4131-10	STR4131-2
	4	STR4141-4	STR4141-9	STR4141	STR4141-7	STR4141-10	STR4141-2
	5	STR4151-4	STR4151-9	STR4151	STR4151-7	STR4151-10	STR4151-2
32 A	3	STR4231-4	STR4231	STR4231-9	STR4231-7	STR4231-10	STR4231-2
	4	STR4241-4	STR4241-9	STR4241	STR4241-7	STR4241-10	STR4241-2
	5	STR4251-4	STR4251-9	STR4251	STR4251-7	STR4251-10	STR4251-2

STR4131 16A 3P 6H
STR4231 32A 3P 6H

Dimension

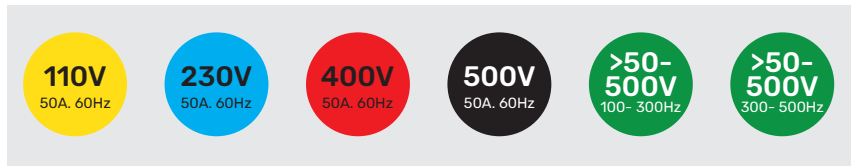
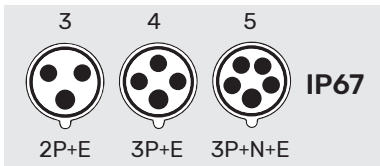


STR4141 16A 4P 6H
STR4241 32A 4P 6H

STR4151 16A 5P 6H
STR4251 32A 5P 6H

Current	16A			32A		
	Pole	3	4	5	3	4
a*b	75	75	75	75	75	75
c*d	60	60	60	60	60	60
e	25.8	26.3	26.2	29.2	29.2	29.8
f	54.5	54.5	54.5	64.5	64.5	65.5
g	80.5	85	93	97.5	97.5	103.5
h	43	49.5	56	57.5	57.5	64
Cable size(mm ²)	1.5-4			2.5-10		

FLANGED/PANEL SOCKETS



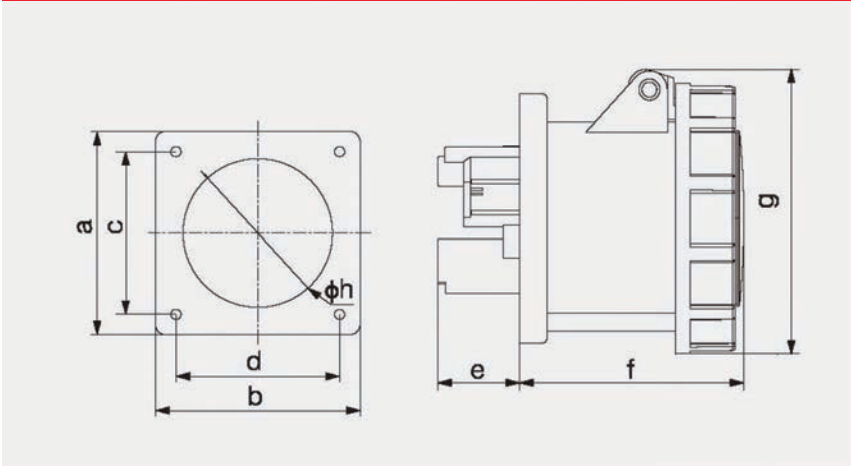
AMPER	POLES	3p	4p	5p	3p	4p	5p	3p	4p	5p	3p	4p	5p	3p	4p	5p	
		4h	4h	4h	6h	9h	9h	9h	6h	6h	7h	7h	7h	10h	10h	10h	2h

IP67 Flanged/Panel Sockets

63 A	3	STR4331-4	STR4331	STR4331-9	STR4331-7	STR4331-10	STR4331-2
	4	STR4341-4	STR4341-9	STR4341	STR4341-7	STR4341-10	STR4341-2
	5	STR4351-4	STR4351-9	STR4351	STR4351-7	STR4351-10	STR4351-2
125 A	3	STR4431-4	STR4431	STR4431-9	STR4431-7	STR4431-10	STR4431-2
	4	STR4441-4	STR4441-9	STR4441	STR4441-7	STR4441-10	STR4441-2
	5	STR4451-4	STR4451-9	STR4451	STR4451-7	STR4451-10	STR4451-2

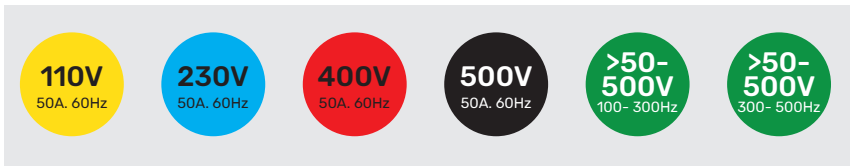
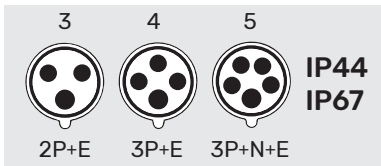


Dimension



Current	63A			125A		
Pole	3	4	5	3	4	5
a*b	100	100	100	120	120	120
c*d	80	80	80	100	100	100
e	39	39	39	58	58	58
f	94.5	94.5	94.5	105.5	105.5	105.5
g	114.5	114.5	114.5	129	129	129
h	73	73	73	87	87	87
Cable size(mm ²)	6-25			25-70		

FLANGED INLETS



AMPER	POLES	3 p	4 p	5 p	3 p	4 p	5 p	3 p	4 p	5 p	3 p	4 p	5 p	3 p	4 p	5 p	
		4 h	4 h	4 h	6 h	9 h	9 h	9 h	6 h	6 h	7 h	7 h	7 h	10 h	10 h	10 h	2 h

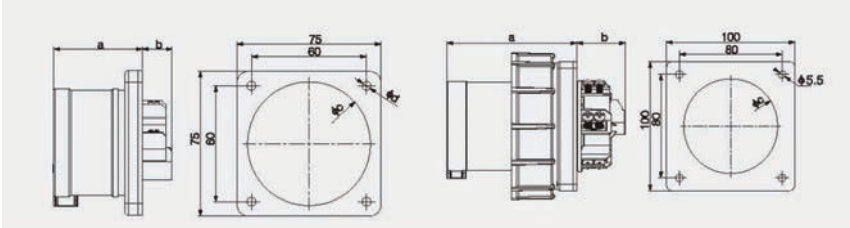
IP44 Flanged Inlets

16 A	3	STR613-4	STR613	STR613-9	STR613-7	STR613-10	STR613-2
	4	STR614-4	STR614-9	STR614	STR614-7	STR614-10	STR614-2
	5	STR615-4	STR615-9	STR615	STR615-7	STR615-10	STR615-2
32 A	3	STR623-4	STR623	STR623-9	STR623-7	STR623-10	STR623-2
	4	STR624-4	STR624-9	STR624	STR624-7	STR624-10	STR624-2
	5	STR625-4	STR625-9	STR625	STR625-7	STR625-10	STR625-2

IP67 Flanged Inlets

63A	3	STR6331-4	STR6331	STR6331-9	STR6331-7	STR6331-10	STR6331-2
63A	4	STR6341-4	STR6341-9	STR6341	STR6341-7	STR6341-10	STR6341-2
63A	5	STR6351-4	STR6351-9	STR6351	STR6351-7	STR6351-10	STR6351-2
63A	5	STR6451-4	STR6451-9	STR6451	STR6451-7	STR6451-10	STR6451-2

Dimension



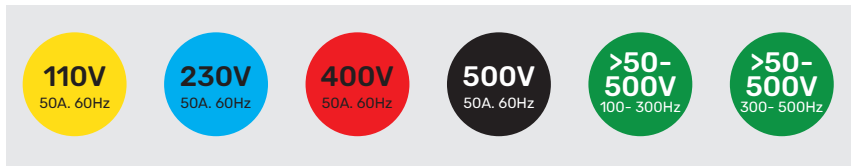
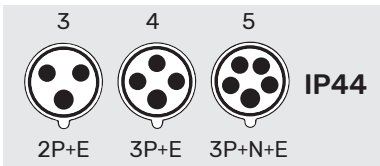
Current	16A			32A		
Pole	3	4	5	3	4	5
a	45.5	45.5	46	54.7	55	55
b	16.5	16.5	15.6	17	16.5	16.5
c	64	64	64	64	64	64
d	4.5	4.5	4.5	4.5	4.5	4.5

Current	63A			125A		
Pole	3	4	5	3	4	5
a	101	101	101	131	131	131
b	38	38	38	57.5	57.5	57.5
c	73	73	73	73	73	73
Cable size(mm ²)	6-25			25-70		

| **Wall Sockets-Combo**



WALL SOCKETS-COMBO



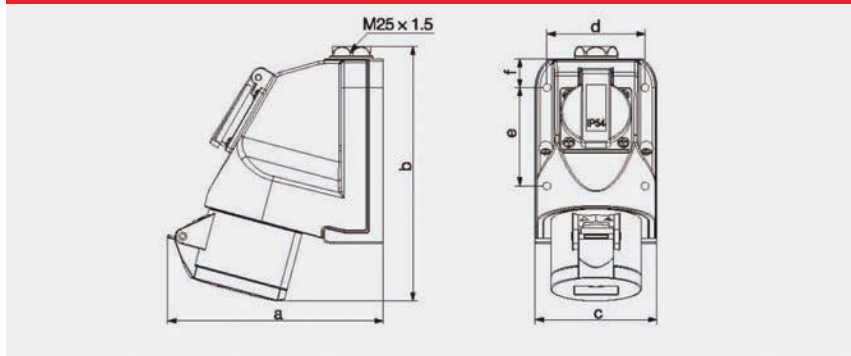
AMPER	POLES	3 p	4 p	5 p	3 p	4 p	5 p	3 p	4 p	5 p	3 p	4 p	5 p	3 p	4 p	5 p	
		4 h	4 h	4 h	6 h	9 h	9 h	9 h	6 h	6 h	7 h	7 h	7 h	10 h	10 h	10 h	2 h

IP44 Wall Sockets-Combo

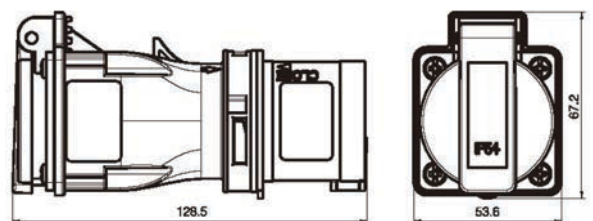
16 A	3	STR113G-4	STR113G	STR113G-9			
	4	STR114G-4	STR114G-9	STR114G			
	5	STR115G-4	STR115G-9	STR115G			
32 A	3	STR123G-4	STR123G	STR123G-9			
	4	STR124G-4	STR124G-9	STR124G			
	5	STR125G-4	STR125G-9	STR125G			



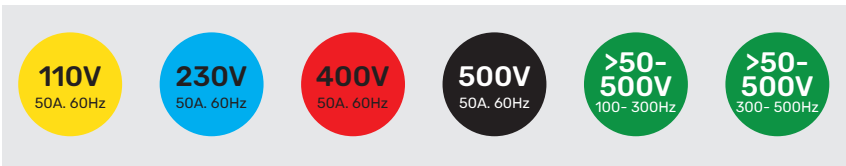
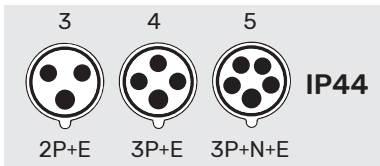
Dimension



Current	16A			32A		
Pole	3	4	5	3	4	5
a	147	148	149.5	151	151	150
b	173.5	175	176	188.5	188.5	189.5
c	84.4	84.4	84.4	84.4	84.4	84.4
d	68	68	68	68	68	68
e	68	68	68	68	68	68
f	20	20	20	20	20	20
Cable size(mm ²)	1.5-4			2.5-10		



WALL SOCKETS -COMBO

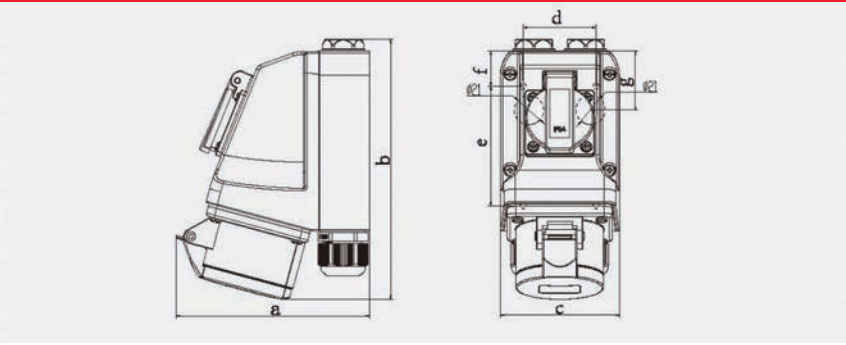


AMPER	POLES	3 p	4 p	5 p	3 p	4 p	5 p	3 p	4 p	5 p	3 p	4 p	5 p	3 p	4 p	5 p	
		4 h	4 h	4 h	6 h	9 h	9 h	9 h	6 h	6 h	7 h	7 h	7 h	10 h	10 h	10 h	2 h

IP44 Wall Sockets-Combo

16 A	3	STR113G-4	STR113G	STR113G-9			
	4	STR114G-4	STR114G-9	STR114G			
	5	STR115G-4	STR115G-9	STR115G			
32 A	3	STR123G-4	STR123G	STR123G-9			
	4	STR124G-4	STR124G-9	STR124G			
	5	STR125G-4	STR125G-9	STR125G			

Dimension

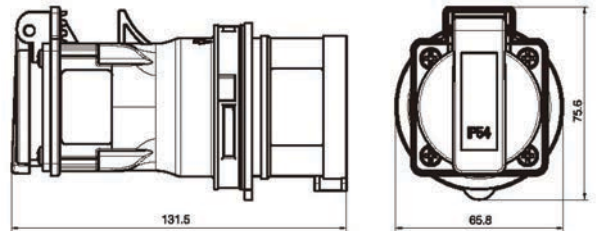


Current	16A			32A		
Pole	3	4	5	3	4	5
a	132	134	138	141	141	144
b	184	184.5	185.5	196	196	197
c	85	85	85	85	85	85
d	52	52	52	52	52	52
e	85	85	85	85	85	85
f	25	25	25	25	25	25
g	42	42	42	42	42	42
Cable size(mm ²)	1.5-4			2.5-10		

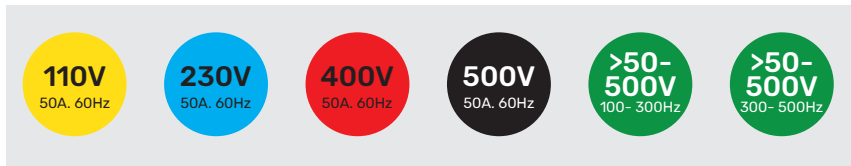
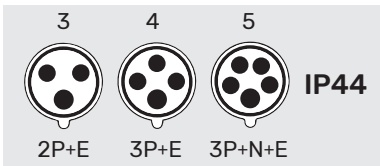
Adaptor

CEE-plug 16A 5P Socket (SCHUKO)

available also with British, French, Danish, Swiss and Australian sockets.



WALL INLETS



AMPER	POLES	16A			32A			32A			32A			32A					
		3p	4p	5p	3p	4p	5p	3p	4p	5p	3p	4p	5p	3p	4p	5p			
		4h	4h	4h	6h	9h	9h	9h	6h	6h	7h	7h	7h	10h	10h	10h	2h	2h	2h

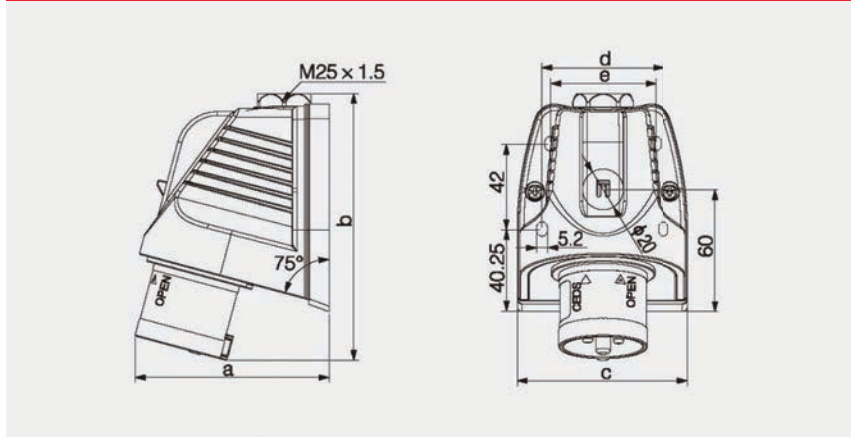
IP67 Wall Inlets



16 A	3	STR513-4	STR513	STR513-9	STR513-7	STR513-10	STR513-2
	4	STR514-4	STR514-9	STR514	STR514-7	STR514-10	STR514-2
	5	STR515-4	STR515-9	STR515	STR515-7	STR515-10	STR515-2
	3	STR523-4	STR523	STR523-9	STR523-7	STR523-10	STR523-2
32 A	4	STR524-4	STR524-9	STR524	STR524-7	STR524-10	STR524-2
	5	STR525-4	STR525-9	STR525	STR525-7	STR525-10	STR525-2



Dimension



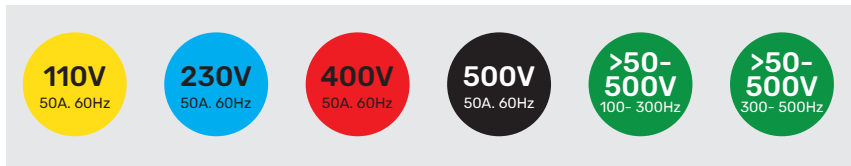
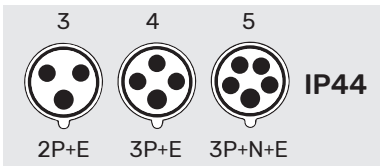
Current	16A			32A		
	Pole	3	4	5	3	4
a	95.5	96	97	98	98	98
b	131	134	135.5	145	145	147
c	84.4	84.4	84.4	84.4	84.4	84.4
d	60	60	60	60	60	60
e	52	52	52	52	52	52
Cable size(mm ²)	1.5-4			2.5-10		

| Switched & Interlocked Sockets

STECHER



SWITCHED & INTERLOCKED SOCKETS



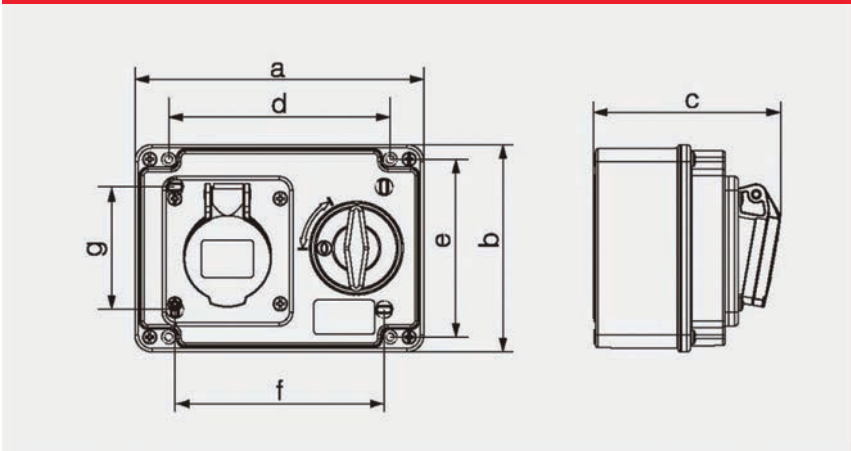
AMPER	POLES	3p	4p	5p	3p	4p	5p	3p	4p	5p	3p	4p	5p	3p	4p	5p	
		4h	4h	4h	6h	9h	9h	9h	6h	6h	7h	7h	7h	10h	10h	10h	2h

IP44 Switched & Interlocked Sockets

16 A	3	STR313-4	STR313	STR313-9			
	4	STR314-4	STR314-9	STR314			
	5	STR315-4	STR315-9	STR315			
32 A	3	STR323-4	STR323	STR323-9			
	4	STR324-4	STR324-9	STR324			
	5	STR325-4	STR325-9	STR325			

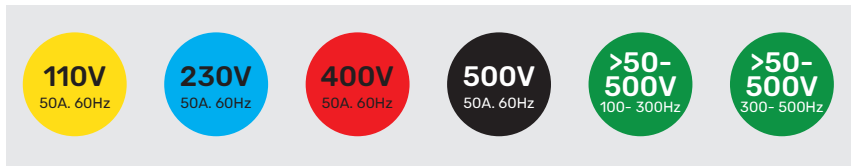
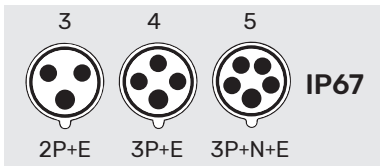


Dimension



Current	16A			32A			
	Pole	3	4	5	3	4	5
a		167	167	167	167	167	167
b		120	120	120	120	120	120
c		108	111.5	112	118	118	120.5
d		128	128	128	128	128	128
e		102.8	102.8	102.8	102.8	102.8	102.8
f		121	121	121	121	121	121
g		71	71	71	71	71	71
Cable size(mm ²)		1.5-4			2.5-10		

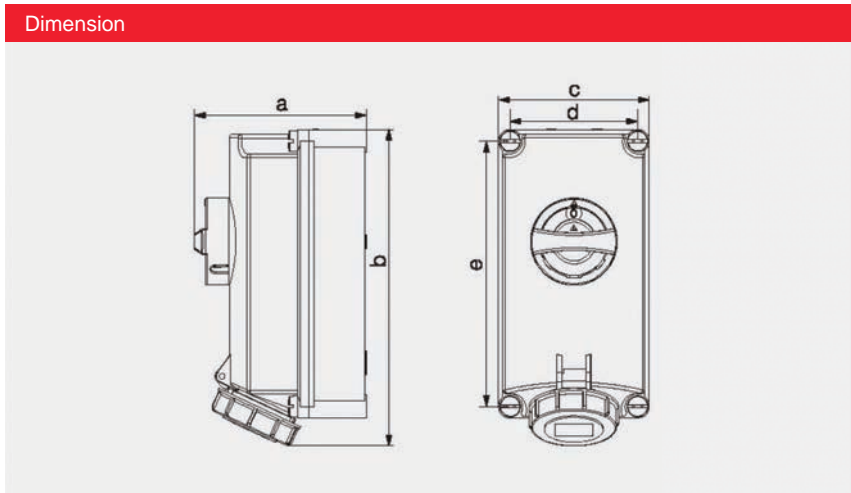
SWITCHED & INTERLOCKED SOCKETS



AMPER	POLES	3 p	4 p	5 p	3 p	4 p	5 p	3 p	4 p	5 p	3 p	4 p	5 p	3 p	4 p	5 p	
		4 h	4 h	4 h	6 h	9 h	9 h	9 h	6 h	6 h	7 h	7 h	7 h	10 h	10 h	10 h	2 h

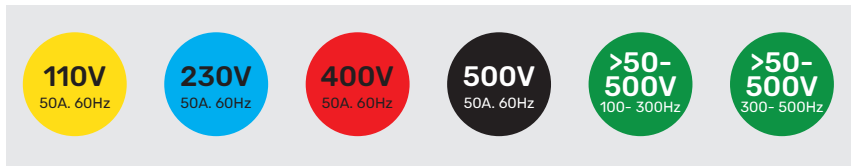
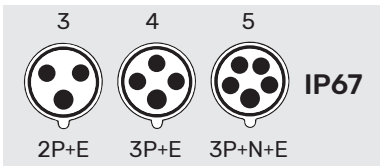
IP67 Switched & Interlocked Sockets

16 A	3	STR1131-4	STR1131	STR1131-9	STR1131-7	STR1131-10	STR1131-2
	4	STR1141-4	STR1141-9	STR1141	STR1141-7	STR1141-10	STR1141-2
	5	STR1151-4	STR1151-9	STR1151	STR1151-7	STR1151-10	STR1151-2
32 A	3	STR1231-4	STR1231	STR1231-9	STR1231-7	STR1231-10	STR1231-2
	4	STR1241-4	STR1241-9	STR1241	STR1241-7	STR1241-10	STR1241-2
	5	STR1251-4	STR1251-9	STR1251	STR1251-7	STR1251-10	STR1251-2



Current	16A			32A		
Pole	3	4	5	3	4	5
a	135.8	135.8	135.8	142.5	142.5	147
b	248	248	248	256.5	256.5	256.5
c	119	119	119	119	119	119
d	101	101	101	101	101	101
e	208	208	208	208	208	208
Cable size(mm ²)	1.5-4			25-10		

SWITCHED & INTERLOCKED SOCKETS



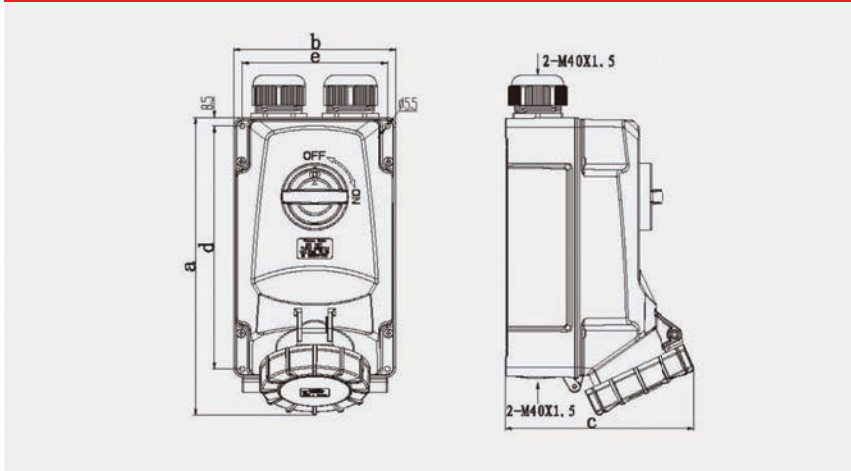
AMPER	POLES	3 p	4 p	5 p	3 p	4 p	5 p	3 p	4 p	5 p	3 p	4 p	5 p	3 p	4 p	5 p	
		4 h	4 h	4 h	6 h	9 h	9 h	9 h	6 h	6 h	7 h	7 h	7 h	10 h	10 h	10 h	2 h

IP67 Switched & Interlocked Sockets

63 A	3	STR21331-4	STR21331	STR21331-9			
	4	STR21341-4	STR21341-9	STR21341			
	5	STR21351-4	STR21351-9	STR21351			



Dimension



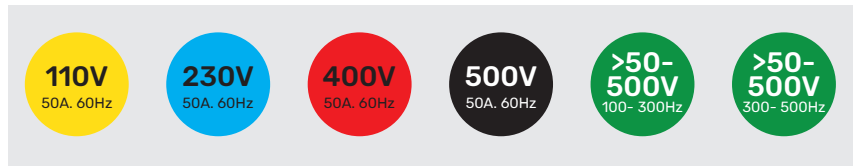
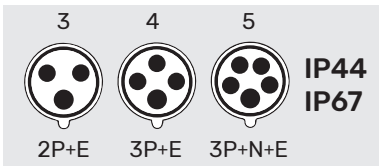
Current	63A					
Pole	3	4	5			
a	300	300	300			
b	163	163	163			
c	191	191	191			
d	245	245	245			
e	146	146	146			
Cable size(mm ²)	6-25					

Multiple Outlet Sockets

STECKER



MULTIPLE OUTLET SOCKETS



AMPER	POLES	3p	4p	5p	3p	4p	5p	3p	4p	5p	3p	4p	5p	3p	4p	5p	
		4h	4h	4h	6h	9h	9h	9h	6h	6h	7h	7h	7h	10h	10h	10h	2h

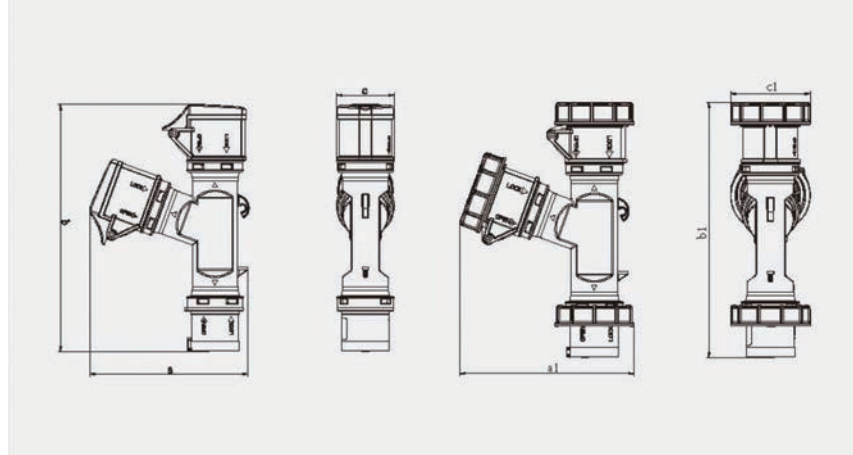
IP44 Multiple Outlet Sockets

16A	3	STR2013-4	STR2013				
	4			STR2014			
32A	3	STR2023-4	STR2023				
	4			STR2024			

IP67 Multiple Outlet Sockets

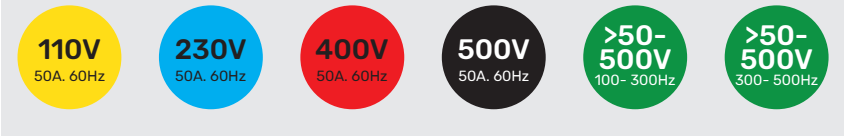
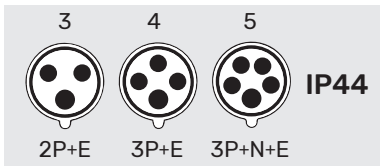
16A	4	STR20131-4	STR20131				
	5			STR20141			
32A	4	STR20231-4	STR20231				
	5			STR20241			

Dimension



Current	16A			32A			
	Pole	3	4	3	4		
a		144	151	178	178		
b		226	233	269	269		
c		53	60	67	67		
a1		156	164	191	191		
b1		229	237	272	272		
c1		71	79	93	93		
Cable size(mm ²)		1.5-4			2.5-10		

MULTIPLE OUTLET SOCKETS



STR1013-4 16A 3P 4H
STR1023-4 32A 3P 4H

STR1013 16A 3P 6H
STR1023 32A 3P 6H

STR1014 16A 4P 6H
STR1024 32A 4P 6H

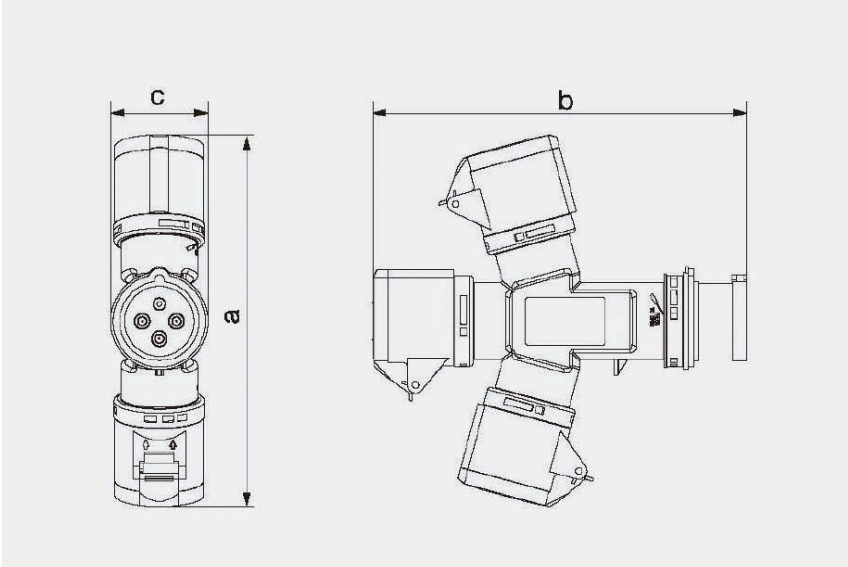
STR1015 16A 5P 6H

AMPER	POLES	3 p	4 p	5 p	3 p	4 p	5 p	3 p	4 p	5 p	3 p	4 p	5 p	3 p	4 p	5 p	
		4 h	4 h	4 h	6 h	9 h	9 h	9 h	6 h	6 h	7 h	7 h	7 h	10 h	10 h	10 h	2 h

IP 44 Multiple Outlet Sockets

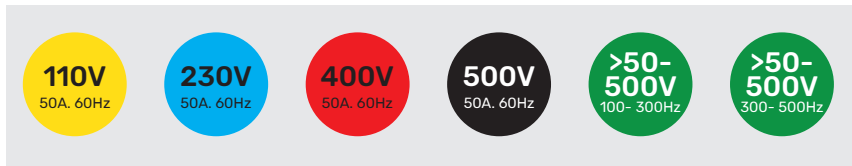
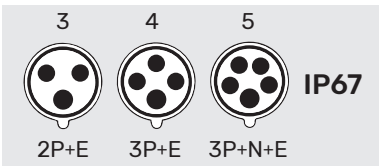
16 A	3	STR1013-4	STR1013	STR1013-9	STR1013-7	STR1013-10	STR1013-2
	4	STR1014-4	STR1014-9	STR1014	STR1014-7	STR1014-10	STR1014-2
	5	STR1015-4	STR1015-9	STR1015	STR1015-7	STR1015-10	STR1015-2
32 A	3	STR1023-4	STR1023	STR1023-9	STR1023-7	STR1023-10	STR1023-2
	4	STR1024-4	STR1024-9	STR1024	STR1024-7	STR1024-10	STR1024-2

Dimension



Current	16A			32A		
Pole	3	4	5	3	4	
a	213.5	231	242	268.5	268.5	
b	215.5	235	248	270	270	
c	53.5	61	65.8	72	72	

MULTIPLE OUTLET SOCKETS

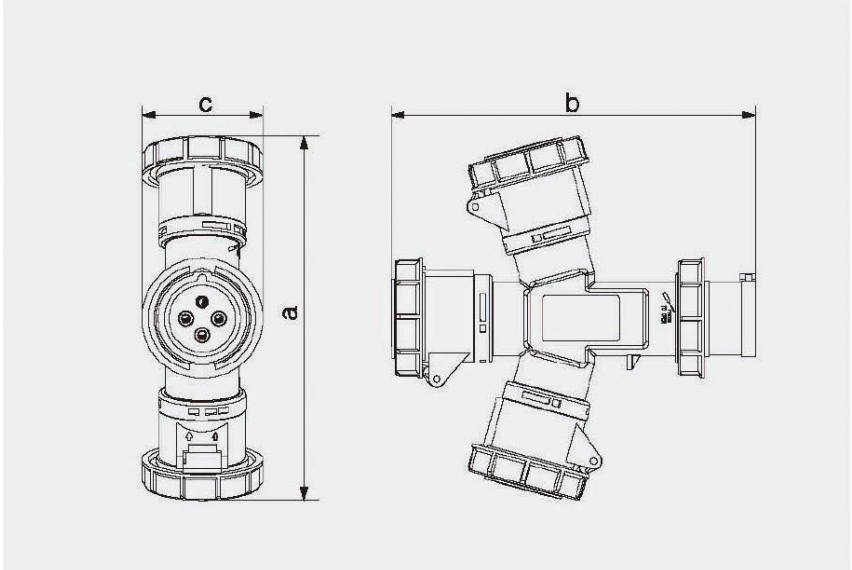


AMPER	POLES	3p	4p	5p	3p	4p	5p	3p	4p	5p	3p	4p	5p	3p	4p	5p	
		4h	4h	4h	6h	9h	9h	9h	6h	6h	7h	7h	7h	10h	10h	10h	2h

IP 67 Multiple Outlet Sockets

16 A	3	STR10131-4	STR10131	STR10131-9	STR10131-7	STR10131-10	STR10131-2
	4	STR10141-4	STR10141-9	STR10141	STR10141-7	STR10141-10	STR10141-2
	5	STR10151-4	STR10151-9	STR10151	STR10151-7	STR10151-10	STR10151-2
32 A	3	STR10231-4	STR10231	STR10231-9	STR10231-7	STR10231-10	STR10231-2
	4	STR10241-4	STR10241-9	STR10241	STR10241-7	STR10241-10	STR10241-2

Dimension



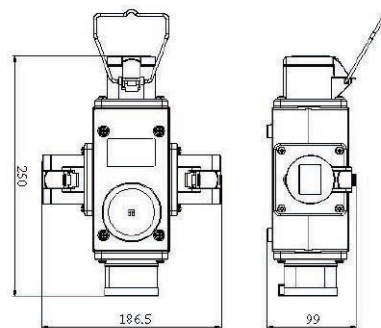
Current	16A			32A		
Pole	3	4	5	3	4	
a	221.5	238	248.5	274	274	
b	220	238	250.5	272	272	
c	71	79	86.5	93.5	93.5	

MULTIPLE OUTLET SOCKETS

STR3150060



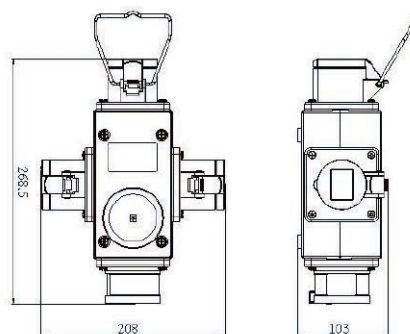
Input
1 CEE-plug 16A 5p 400V
Output
3 CEE-sockets 16A 5p 400V



STR3250060



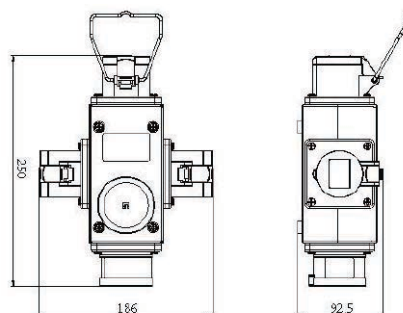
Input
1 CEE-plug 32A 5p 400V
Output
3 CEE-sockets 32A 5p 400V



STR3150063



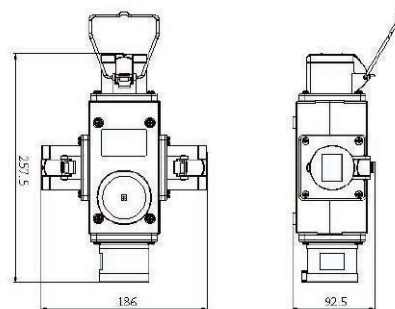
Input
1 CEE-plug 16A 5p 400V
Output
2 CEE-sockets 16A 3p 230V
1 CEE-sockets 16A 5p 400V



STR3230060



Input
1 CEE-plug 32A 3p 230V
Output
3 CEE-sockets 16A 3p 230V

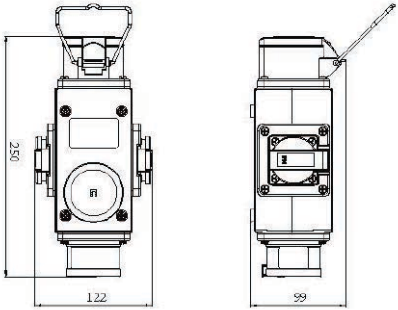


MULTIPLE OUTLET SOCKETS



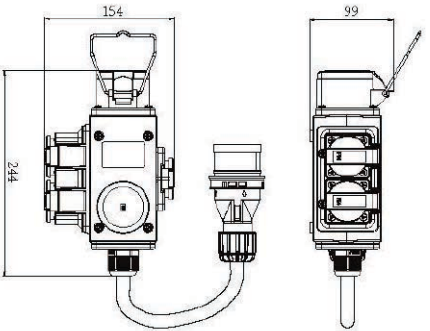
Input
1 CEE-plug 16A 5p 400V
Output
2 DK sockets 16A 230V
1 CEE-socket 16A 5p 400V

Available also with British, French, Schuko, Swiss and Australian sockets.

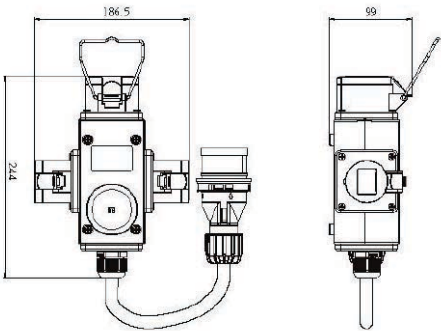


Input
5G1.5 H07RN-F cable with CEE-plug 16A 5p 400V
Output
3DK sockets 16A 230V
1 CEE-socket 16A 5p 400V

Available also with British, French, Schuko, Swiss and Australian sockets.



Input
5G1.5 H07RN-F cable with CEE-plug 16A 5p 400V
Output
3 CEE-sockets 16A 5p 400V



IP167 watertight
Input
3G2.5 cable 2.2m with plug 16A 3P 230V
Output
3 CEE-sockets 16A 3P 230V

Available also IP44 waterproof
Available also 110V

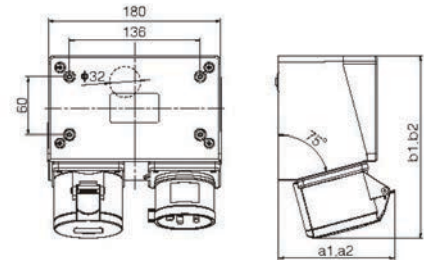
7 PIN PLUGS & SOCKETS



Container Box

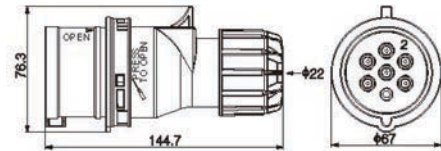
CTB165(a1:115 b1:178)
16A 5P 6h 400V-
IP44 waterproof

CTB325 (a2:121 b2:190)
32A 5P 6h 400V-
IP44 waterproof



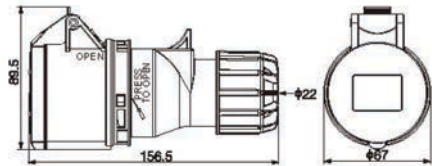
Plug - 7poles

For star-delta connection
16A 7P 6h 400V-
Nickel-plated contacts
IP44 waterproof



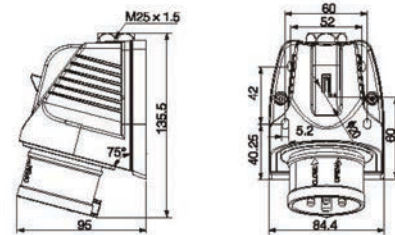
Connector - 7poles

For star-delta connection
16A 7P 6h 400V-
Nickel-plated contacts
IP44 waterproof



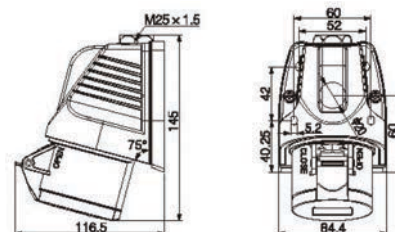
Wall Inlet - 7poles

For star-delta connection
with cable gland
16A 7P 6h 400V-
Nickel-plated contacts
IP44 waterproof

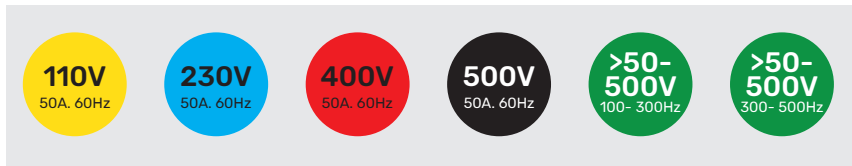
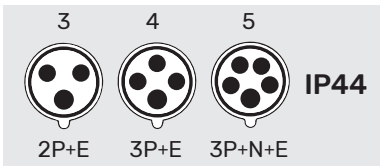


Wall Socket - 7poles

For star-delta connection
with cable gland
16A 7P 6h 400V-
Nickel-plated contacts
IP44 waterproof



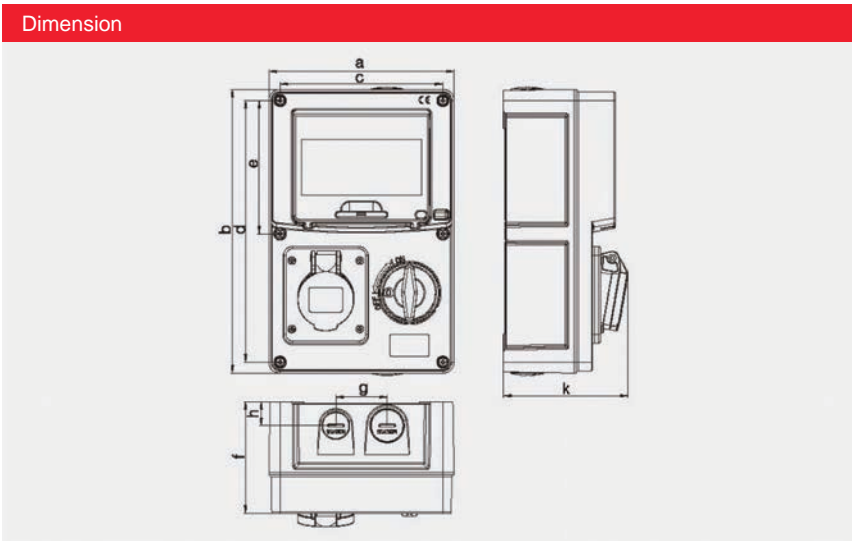
SWITCHED & INTERLOCKED SOCKETS



AMPER	POLES	3 p	4 p	5 p	3 p	4 p	5 p	3 p	4 p	5 p	3 p	4 p	5 p	3 p	4 p	5 p	
		4 h	4 h	4 h	6 h	9 h	9 h	9 h	6 h	6 h	7 h	7 h	7 h	10 h	10 h	10 h	2 h

IP44 Switched & Interlocked Sockets

16 A	3	STR2313-4	STR2313	STR2313-9			
	4	STR2314-4	STR2314-9	STR2314			
	5	STR2315-4	STR2315-9	STR2315			
32 A	3	STR2323-4	STR2323	STR2323-9			
	4	STR2324-4	STR2324-9	STR2324			
	5	STR2325-4	STR2325-9	STR2325			



Current	16A			32A			
	Pole	3	4	5	3	4	5
a		166	166	166	166	166	166
b		255	255	255	255	255	255
c		146	146	146	146	146	146
d		235	235	235	235	235	235
e		120	120	120	120	120	120
f		100.5	100.5	100.5	100.5	100.5	100.5
g		46	46	46	46	46	46
h		21.5	21.5	21.5	21.5	21.5	21.5
k		112.1	115.3	115.6	121.4	121.4	122.6
Cable size(mm ²)		1.5-4			2.5-10		



DISTRIBUTION BOXES SERIES

Distribution boxes for flexible current supply, portable and handy, with high resistance to weather and chemicals. All combination are tested for electrical safety and quality. The products are widely used in the following sites.

- Repair, extension and demolition work on existing building.
- Construction sites
- Exhibition center
- Factories

Characteristics

- Conform to EN61439-4
- IP44 or IP55 protection degree against dust and liquid bodies
- 1K8 mechanical protection degree
- High quality thermoplastic material, UV resistance
- Glow-wire test temperature upto 850°C
- Available componet preset as required

DISTRIBUTION BOXES SERIES



Item No.A06MA01-4 IP44

- Enclosure size: 425.5*136*94.5mm
- 1 CEE Plug 16A 230V 3Pin with H07RN Cable 3G2.5sq mm
- 3 CEE Socket 16A 230V 3Pin
- 3 Circuit breaker 16A 1Pole
- 1 RCCB 25A 2Pole



Item No.B06MD01-4 IP44

- Enclosure size: 340*136*94.5mm
- 1 CEE Plug 16A 230V 3Pin with H07RN Cable 3G2.5sq mm
- 4 SCHUKO Socket 16A 230V
- 4 Circuit breaker 16A 1Pole
- 1 RCCB 25A 2Pole



Item No.A06MA07-4 IP55

- Enclosure size: 425.5*136*94.5mm
- 1 CEE Plug 16A 230V 3Pin with H07RN Cable 3G2.5sq mm
- 3 CEE Socket 16A 230V 3Pin
- 3 Circuit breaker 16A 1Pole
- 1 RCCB 25A 2Pole



Item No.B06MD04-4 IP44

- Enclosure size: 340*136*94.5mm
- 1 CEE Plug 16A 230V 3Pin with H07RN Cable 3G2.5sq mm
- 4 CEE Socket 16A 230V 3Pin
- 4 Circuit breaker 16A 1Pole
- 1 RCCB 25A 2Pole



Item No.A06MB01-4 IP44

- Enclosure size: 425.5*136*94.5mm
- 1 CEE Plug 16A 230V 3Pin with H07RN Cable 3G2.5sq mm
- 6 SCHUKO Socket 16A 230V
- 3 Circuit breaker 16A 1Pole
- 1 RCCB 25A 2Pole



Item No.A10MB01-4 IP44

- Enclosure size: 410*210*97.5mm
- 1 CEE Plug 16A 230V 3Pin with H07RN Cable 3G2.5sq mm
- 4 CEE Socket 16A 230V 3Pin
- 4 Circuit breaker 16A 1Pole
- 1 RCCB 25A 2Pole



Item No.A06MJ01-4 IP44

- Enclosure size: 425.5*136*94.5mm
- 1 CEE Plug 16A 230V 3Pin with H07RN Cable 3G2.5sq mm
- 4 CEE Socket 16A 230V 3Pin
- 1 SCHUKO Socket 16A 230V
- 3 Circuit breaker 16A 1Pole
- 1 RCCB 25A 2Pole



Item No.A10MB04-4 IP55

- Enclosure size: 410*210*97.5mm
- 1 CEE Plug 16A 230V 3Pin with H07RN Cable 3G2.5sq mm
- 4 CEE Socket 16A 230V 3Pin
- 4 Circuit breaker 16A 1Pole
- 1 RCCB 25A 2Pole

DISTRIBUTION BOXES SERIES



Item No.A10MB02-4 IP44

- Enclosure size: 410*210*97.5mm
- 1 CEE Plug 16A 415V 5Pin with H07RN Cable 5G2.5sq mm
- 2 CEE Socket 16A 230V 3Pin
2 CEE Socket 16A 415V 5Pin
- 2 Circuit breaker 16A 1Pole
1 Circuit breaker 16A 3Pole
1 RCCB 25A 4Pole



Item No.A10MA01-4 IP44

- Enclosure size: 410*210*97.5mm
- 1 CEE Plug 16A 230V 3Pin with H07RN Cable 3G2.5sq mm
- 2 CEE Socket 16A 230V 3Pin
- 2 Circuit breaker 16A 1Pole
- 1 RCCB 25A 2Pole



Item No.A10MC02-4 IP44

- Enclosure size: 410*210*97.5mm
- 1 CEE Plug 32A 415V 5Pin with H07RN Cable 5G4.0sq mm
- 2 CEE Socket 16A 415V 5Pin
2 CEE Socket 32A 415V 5Pin
- 1 Circuit breaker 16A 3Pole
1 Circuit breaker 32A 3Pole
- 1 RCCB 40A 4Pole



Item No.A10MA06-4 IP44

- Enclosure size: 410*210*97.5mm
- 1 CEE Plug 32A 415V 5Pin with H07RN Cable 5G4.0sq mm
- 1 CEE Socket 32A 415V 5Pin
- 2 Circuit breaker 32A 3Pole
- 1 RCCB 40A 4Pole



Item No.A10MB05-4 IP55

- Enclosure size: 410*210*97.5mm
- 1 CEE Plug 16A 415V 5Pin with H07RN Cable 5G2.5sq mm
- 2 CEE Socket 16A 230V 3Pin
2 CEE Socket 16A 415V 5Pin
- 2 Circuit breaker 16A 1Pole
1 Circuit breaker 16A 3Pole
- 1 RCCB 25A 4Pole



Item No.A10MA07-4 IP44

- Enclosure size: 410*210*97.5mm
- 1 CEE Plug 16A 415V 5Pin with H07RN Cable 5G2.5sq mm
- 1 CEE Socket 16A 230V 3Pin
1 CEE Socket 16A 415V 5Pin
- 1 Circuit breaker 16A 1Pole
1 Circuit breaker 16A 3Pole
- 1 RCCB 25A 4Pole



Item No.A10MC04-4 IP55

- Enclosure size: 410*210*97.5mm
- 1 CEE Plug 32A 415V 5Pin with H07RN Cable 5G4.0sq mm
- 2 CEE Socket 16A 415V 5Pin
2 CEE Socket 32A 415V 5Pin
- 1 Circuit breaker 16A 3Pole
1 Circuit breaker 32A 3Pole
- 1 RCCB 40A 4Pole



Item No.A10MA09-4 IP44

- Enclosure size: 410*210*97.5mm
- 1 CEE Plug 32A 415V 5Pin with H07RN Cable 5G4.0sq mm
- 1 CEE Socket 16A 415V 5Pin
1 CEE Socket 32A 415V 5Pin
- 1 Circuit breaker 16A 3Pole
1 Circuit breaker 32A 3Pole
- 1 RCCB 40A 4Pole

DISTRIBUTION BOXES SERIES



Item No.B11MA24-2 IP44

- Enclosure size: 319*273*101mm
- 1 CEE Plug 16A 415V 5Pin
- 2 CEE Socket 16A 415V 5Pin
- 4 SCHUKO Socket 16A 230V
- 2 Circuit breaker 16A 1Pole
- 1 RCCB 40A 4Pole



Item No.B11MA10-2 IP44

- Enclosure size: 319*273*101mm
- 1 CEE Plug 32A 415V 5Pin
- 1 CEE Socket 16A 415V 5Pin
- 1 CEE Socket 32A 415V 5Pin
- 4 SCHUKO Socket 16A 230V
- 4 Circuit breaker 16A 1Pole
- 1 Circuit breaker 16A 3Pole
- 1 RCCB 40A 4Pole



Item No.B11MA21-2 IP44

- Enclosure size: 319*273*101mm
- 1 CEE Plug 16A 230V 4Pin
- 2 CEE Socket 16A 230V 4Pin
- 4 SCHUKO Socket 16A 230V
- 2 Circuit breaker 16A 2Pole
- 1 RCCB 40A 4Pole



Item No.B11MA03-4 IP44

- Enclosure size: 319*273*101mm
- 1 CEE Plug 16A 415V 5Pin with H07RN Cable 5G2.5sq mm
- 2 CEE Socket 16A 415V 5Pin
- 1 CEE Socket 16A 230V 3Pin
- 4 SCHUKO Socket 16A 230V
- 1 Circuit breaker 16A 3Pole
- 3 Circuit breaker 16A 1Pole
- 1 RCCB 40A 4Pole



Item No.B11MA47-2 IP44

- Enclosure size: 319*273*101mm
- 1 CEE Plug 16A 415V 5Pin
- 2 CEE Socket 16A 415V 5Pin
- 4 CEE Socket 16A 230V 3Pin
- 4 Circuit breaker 16A 1Pole
- 1 Circuit breaker 16A 3Pole
- 1 RCCB 40A 4Pole



Item No.B11MA46-4 IP44

- Enclosure size: 319*273*101mm
- 1 CEE Plug 32A 415V 5Pin
- 1 CEE Socket 16A 415V 5Pin
- 1 CEE Socket 32A 415V 5Pin
- 1 CEE Socket 32A 230V 3Pin
- 4 CEE Socket 16A 230V 3Pin
- 2 Circuit breaker 16A 1Pole
- 1 Circuit breaker 32A 1Pole
- 1 Circuit breaker 16A 3Pole
- 1 RCCB 40A 4Pole



Item No.B11MA48-2 IP44

- Enclosure size: 319*273*101mm
- 1 CEE Plug 16A 415V 5Pin
- 2 CEE Socket 16A 415V 5Pin
- 2 CEE Socket 16A 230V 3Pin
- 2 SCHUKO Socket 16A 230V
- 4 Circuit breaker 16A 1Pole
- 1 Circuit breaker 16A 3Pole
- 1 RCCB 40A 4Pole



Item No.B11MD01-4 IP44

- Enclosure size: 319*273*101mm
- 1 CEE Plug 16A 230V 5Pin with H07RN Cable 3G2.5sq mm
- 3 CEE Socket 16A 230V 3Pin
- 3 Circuit breaker 16A 2Pole
- 1 RCCB 40A 2Pole

DISTRIBUTION BOXES SERIES



Item No.A24MB01-2 IP44

- 1 CEE Plug 63A 415V 5Pin
- 2 SCHUKO Socket 16A 230V
- 2 CEE Socket 16A 230V 3Pin
- 2 CEE Socket 16A 415V 5Pin
- 1 CEE Socket 32A 415V 5Pin
- 1 CEE Socket 63A 415V 5Pin
- 4 Circuit breaker 16A 1Pole
- 2 Circuit breaker 16A 3Pole
- 1 Circuit breaker 32A 3Pole
- 1 Circuit breaker 63A 3Pole
- 1 RCCB 63A 4Pole



Item No.A24MD01-4 IP65

- 1 CEE Plug 63A 415V 5Pin with H07RN Cable 5G10sq mm
- 2 CEE Socket 16A 230V 3Pin
- 2 CEE Socket 32A 230V 3Pin
- 2 CEE Socket 16A 415V 5Pin
- 2 CEE Socket 32A 415V 5Pin
- 2 Circuit breaker 16A 1Pole
- 2 Circuit breaker 32A 1Pole
- 2 Circuit breaker 16A 3Pole
- 2 Circuit breaker 32A 3Pole
- 1 RCCB 63A 4Pole



Item No.A24MB06-2 IP44

- 1 CEE Plug 63A 415V 5Pin
- 6 SCHUKO Socket 16A 230V
- 2 CEE Socket 16A 415V 5Pin
- 2 CEE Socket 32A 415V 5Pin
- 1 CEE Socket 63A 415V 5Pin
- 4 Circuit breaker 16A 1Pole
- 2 Circuit breaker 16A 3Pole
- 1 Circuit breaker 32A 3Pole
- 1 Circuit breaker 63A 3Pole
- 1 RCCB 63A 4Pole



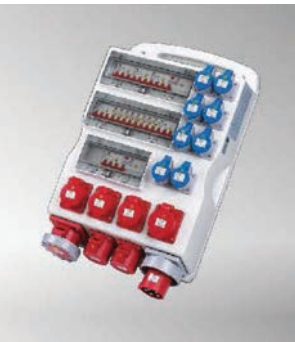
Item No.A24MC01-4 IP44

- 1 CEE Plug 63A 415V 5Pin with H07RN Cable 5G10sq mm
- 4 SCHUKO Socket 16A 230V
- 2 CEE Socket 16A 415V 5Pin
- 1 CEE Socket 32A 415V 5Pin
- 1 CEE Socket 63A 415V 5Pin
- 4 Circuit breaker 16A 1Pole
- 2 Circuit breaker 16A 3Pole
- 1 Circuit breaker 32A 3Pole
- 1 Circuit breaker 63A 3Pole
- 1 RCCB 63A 4Pole



Item No.A28MA07-2 IP44

- Enclosure size: 643*428*159
- 1 CEE Plug 63A 415V 5Pin
- 2 CEE Socket 32A 415V 5Pin
- 3 CEE Socket 16A 415V 5Pin
- 6 SCHUKO Socket 16A 230V
- 3 Circuit breaker 16A 1Pole
- 3 Circuit breaker 16A 3Pole
- 2 Circuit breaker 32A 3Pole
- 2 RCCB 63A 4Pole



Item No.A38MB02-2 IP44

- Enclosure size: 643*428*159
- 1 CEE Plug 63A 415V 5Pin
- 3 CEE Socket 32A 415V 5Pin
- 3 CEE Socket 16A 415V 5Pin
- 8 CEE Socket 16A 230V 3Pin
- 8 Circuit breaker 16A 1Pole
- 3 Circuit breaker 16A 3Pole
- 2 Circuit breaker 32A 3Pole
- 2 RCCB 63A 4Pole



Item No.A38MB07-2 IP44

- Enclosure size: 643*428*159
- 1 CEE Plug 63A 415V 5Pin
- 3 CEE Socket 32A 415V 5Pin
- 3 CEE Socket 16A 415V 5Pin
- 8 SCHUKO Socket 16A 230V
- 8 Circuit breaker 16A 1Pole
- 3 Circuit breaker 16A 3Pole
- 3 Circuit breaker 32A 3Pole
- 2 RCCB 63A 4Pole



Item No.A38MB08-2 IP44

- Enclosure size: 643*428*159
- 1 CEE Plug 63A 415V 5Pin
- 3 CEE Socket 32A 415V 5Pin
- 3 CEE Socket 16A 415V 5Pin
- 4 CEE Socket 16A 230V 3Pin
- 4 SCHUKO Socket 16A 230V
- 8 Circuit breaker 16A 1Pole
- 3 Circuit breaker 16A 3Pole
- 3 Circuit breaker 32A 3Pole
- 2 RCCB 63A 4Pole



Cable Ties & Accessories

TOPEX

SECURE

ABOUT

SECURE

Secure products, a series under the Topex brand, the product categories that falls under this series are...

- Nylon Cable Ties
- PG Glands
- Terminal Blocks
- Bending & Pulling Spring
- Tie Mount
- Wire Clips
- Spiral Wrapping Band
- Heat Shrinkable Sleeves

With the state of the art manufacturing facility the quality of our products are ensured from the selection of raw materials.

We strive for continuous improvisation and effectiveness of our quality management system with a motto of **Total customer satisfaction.**

Table of Contents

109	Nylon Cable Ties
111	PG Glands
113	Terminal Blocks
113	Bending & Pulling Spring
114	Tie Mount
114	Wire Clips
114	Spiral Wrapping Band
115	Heat Shrinkable Sleeves

| Cable Ties



SELF-LOCKING NYLON CABLE TIES

Material : Nylon 66, 94v-2

Operating temperature : -40C to 85C

Color : Natural (or white,standard color), UV black & other colors are available as requested.

Item No	L		W mm	Max Bundle Dia.(mm)	Tensile Strength		Packing
	inch	mm			LBS	KGS	
SC-60A	2 3/8"	60	2.5	11	18	8	100PCS & 1000PCS
SC-80A	3 3/16"	80	2.5	16	18	8	
SC-100A	4"	100	2.5	22	18	8	
SC-120A	4 3/4"	120	2.5	30	18	8	
SC-150A	6"	150	2.5	35	18	8	
SC-160A	6 1/4"	160	2.5	40	18	8	
SC-200A	8"	200	2.5	50	18	8	
SC-120B	4 3/4"	120	3.6	30	40	18	100PCS & 500PCS
SC-150B	6"	150	3.6	35	40	18	
SC-180B	7"	180	3.6	42	40	18	
SC-200B	8"	200	3.6	42	40	18	
SC-250B	10"	250	3.6	65	40	18	
SC-280B	11"	280	3.6	70	40	18	
SC-300B	11 5/8"	300	3.6	80	40	18	
SC-370B	14 1/2"	370	3.6	102	40	18	
SC-120C	14 3/4"	120	4.8	24	50	22	
SC-150C	6"	150	4.8	35	50	22	
SC-190C	7 1/2"	190	4.8	46	50	22	
SC-200C	8"	200	4.8	50	50	22	
SC-250C	10"	250	4.8	65	50	22	
SC-280C	11"	280	4.8	70	50	22	
SC-300C	11 5/8"	300	4.8	82	50	22	
SC-350C	13 3/4"	350	4.8	90	50	22	
SC-370C	14 1/2"	370	4.8	102	50	22	
SC-400C	15 3/4"	400	4.8	105	50	22	
SC-450C	17 3/4"	450	4.8	130	50	22	
SC-500C	19 11/16"	500	4.8	140	50	22	
SC-530C	20 4/5"	530	4.8	147	50	22	
SC-250DS	10"	250	6.8	65	90	40	
SC-300DS	11 5/8"	530	6.8	80	90	40	
SC-370DS	14 1/2"	370	6.8	102	90	40	
SC-150D	6"	150	7.6	33	120	55	
SC-200D	8"	200	7.6	50	120	55	
SC-250D	10"	250	7.6	63	120	55	
SC-300D	11 5/8"	300	7.6	82	120	55	
SC-350D	13 3/4"	350	7.6	90	120	55	
SC-370D	14 1/2"	370	7.6	102	120	55	
SC-400D	15 3/4"	400	7.6	105	120	55	
SC-450D	17 3/4"	450	7.6	118	120	55	
SC-500D	19 11/16"	500	7.6	150	120	55	
SC-550D	21 11/16"	550	7.6	160	120	55	
SC-430DL	17"	430	9	112	175	80	
SC-550DL	21 11/16"	550	9	160	175	80	
SC-650DL	25 9/16"	650	9	190	175	80	
SC-760DL	30"	760	9	225	175	80	
SC-810DL	32"	810	9	239	175	80	
SC-920DL	36 1/4"	920	9	265	175	80	
SC-1168DL	46"	1168	9	360	175	80	
SC-550FL	21 11/16"	550	12.7	160	250	114	





PG THREAD CABLE GLAND

Material : Nylon66,94V-2 and tight ring from rubber.

Features : Special designation, good strength aile and none damage to electrical machine. No need to dismantle the fix terminal, cable can be inserted through directly then tighten easy and save time.

Application : Used for machinery control box, distribution plate, machine and electrical. etc.

Part No.	L1mm	Cable Range (mm)	Lmm	Spanne Size (mm)	L2mm
SC-PG07	8	3-6.5	22	16	12
SC-PG09	8	4-8	26	19	16
SC-PG11	8	5-10	27	22	18
SC-PG13.5	9	6-12	28	24	20
SC-PG16	10	10-14	30	27	22
SC-PG19	10	12-15	30	27/28	24
SC-PG21	10	13-18	35	33	28
SC-PG25	11	16-21	34	35/36	30
SC-PG29	12	18-25	40	41/42	37
SC-PG36	14	22-32	48	52/53	47
SC-PG42	14	32-38	49	60/61	54
SC-PG48	14	37-44	50	64/65	59
SC-PG63	27	42-50	60	72	70



METRIC THREAD CABLE GLAND

Part No.	L1mm	Cable Range (mm)	Lmm	Spanne Size (mm)	L2mm
SC-M12	8	3-6.5	22	16	12
SC-M14	8	4-8	26	19	14
SC-M16	8	5-10	27	22	16
SC-M18	8	5-10	27	22	18
SC-M20	9	6-12	28	24	20
SC-M22	10	10-14	30	27	22
SC-M24	10	12-15	30	27	24
SC-M25	10	13-18	35	33	25
SC-M27	10	13-18	35	33	27
SC-M30	11	12-21	34	35/36	30
SC-M32	11	12-21	34	36/37	32
SC-M36	12	18-25	40	41/42	36
SC-M40	14	22-32	48	52/53	40
SC-M50	14	32-38	49	60/61	50
SC-M63	14	37-44	50	67	63



EXPAND NAIL

Material : PE

Color : White, Grey.

Part No.	Item No.	L(mm)	D(mm)	d(mm)	Packing
01101	SC-EN-06	29.8	6.0	4.9	1000PCS & 100PCS
01102	SC-EN-08	38.6	7.9	5.3	
01103	SC-EN-10	42.7	9.9	5.8	500PCS & 100PCS
01104	SC-EN-12	47.9	11.6	6.3	



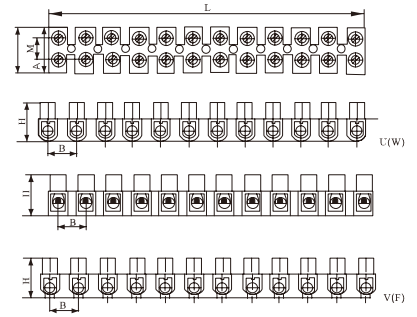


TERMINAL BLOCKS

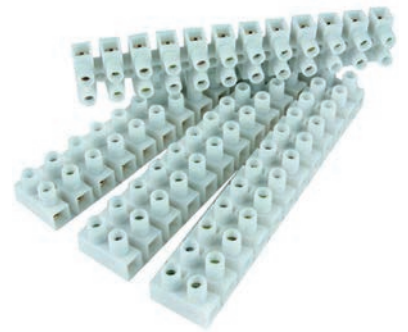
U(w) V(f) Terminal Blocks U(w) V(f) Type

Terminal Blocks : U(w) V(f) Terminal Blocks U(w) V(f) Type

Material : PE



Item No	L	W	H	A	B	mm2	Volt	AMP	Packing
SC-3A	93	16	12	6	8	4	400V	3A	10PCS
SC-6A	115	15.7	13	6.5	9.5	6	400V	6A	
SC-10A	126	20.2	15.5	8.4	10.5	10	400V	10A	
SC-16A	139	23	17.7	10.3	12	12	400V	16A	
SC-20A	155	25	19.2	11.5	13.5	14	400V	20A	
SC-30A	171	26	20.5	12	14.5	16	400V	30A	
SC-60A	192	30	26	13.5	16.5	25	400V	60A	
SC-80A	205	33	27	15	17	35	400V	80A	
SC-100A	250	46	31	22	21	40	400V	140A	



CABLE PULLER

STEEL CABLE PULLER WITH 2 RINGS

Part No.	LTH	THK
SCPS-10	10Mtr.	2.5mtr
SCPS-15	15tr.	2.5mtr
SCPS-20	20Mtr.	2.5mtr
SCPS-25	25Mtr.	2.5mtr
SCPS-30	30Mtr.	2.5mtr
SCPS-50	50Mtr.	2.5mtr



STEEL BENDING SPRINGS

Part No.	LTH	Dia.
SCBS-20	500mm	20mm
SCBS-25	500mm	25mm
SCBS-32	500mm	32mm



TIE MOUNT

Material : Nylon 66, 94v-2, certified by UL. The back sponge glue imported

Part No	Item No	L	W	H	Tapping hole	Perforation	Packing
01201	SCP-20	20	20	6.1	2.9	5.0	100PCS
SC-4MM	SCP-25	25	25	7.5	3.5	6.2	
SC-5MM	SCP-30	30	30	8.7	4.5	6.4	
SC-6MM	SCP-40	40	40	6.4	4.5	10.8	



WIRE CLIPS

PE (White, Grey), elasticity and shock resisting. Inserting type, nail attached in clips, save time and cost.

Item No	HSRA(mm) HSR	B(mm)	(Nail)mm	PS	Packing
SC-0305MM	5.3	3.5	2x19	HSC-0.35	100PCS
SC-4MM	5.3	4	2.3x18	HSC-0.4	
SC-5MM	6.3	5	2.3x18	HSC-0.5	
SC-6MM	7.4	6	2.3x22	HSC-1	
SC-7MM	8.4	7	2.3x22	HSC-1.5	
SC-8MM	9.4	8	2.3x22	HSC-2	
SC-9MM	10.4	9	2.3x22	HSC-2.5	
SC-10MM	11.4	10	2.3x27	HSC-3	
SC-12MM	13.4	12	2.3x25	HSC-4	
SC-14MM	16.4	14	2.3x30	HSC-6	
SC-16MM	17.7	16	2.4x32	HSC-7	
SC-18MM	19.7	18	2.7x40	HSC-7.2	
SC-20MM	22.2	20	3x42	HSC-7.5	
SC-22MM	25	22	3x42	HSC-8	
SC-25MM	27.7	25	3x45	HSC-9	
SC-30MM	33.1	30	3.5x55	-	
SC-32MM	35.6	32	3.5x55	HSC-10	
SC-35MM	36.6	35	3.5x58	-	
SC-40MM	45.2	40	3.5x62	-	



SPIRAL WRAPPING BAND

Material : PE

Usage : Fix one and with safely belt first, then circle the wires clockwise to tighten

Application : A protection wear for electric wires, and make them insulation and look nice

Colours : White & Black

Part No	Item No	d	D	Screw-pitch	Banding Range(mm)	Packing
01701	SWB-06	4	6	7.0	4-50	10M/ROLL
01702	SWB-08	6	8	10.8	6-60	
01703	SWB-10	7.5	10	11.4	7.5-60	
01704	SWB-12	9	12	13.9	9-65	
01705	SWB-15	12	15	15.0	12-75	
01706	SWB-19	15	19	18.2	15-100	
01707	SWB-24	20	24	19.6	20-130	



HEAT SHRINKABLE SLEEVES

Function:

1. Wire coat insulation
2. Make the joint of terminal block and wire insulated
3. Divide the colors
4. Water-proof
5. Protection and insulation of insitors and electrical capacitors. Standard color: black, white, red, yellow, green, grey, orange, and yellowgreen.

Part No	Before Contraction		After Contraction		Packing
	d(mm)	Thickness	d(mm)	Thickness	
SCHS-1	1.0	0.2±0.05	0.5	0.4±0.05	200
SCHS-1.5	1.5	0.2±0.05	0.75	0.4±0.05	
SCHS-2	2.0	0.25±0.05	1.0	0.45±0.1	
SCHS-2.5	2.5	0.25±0.05	1.25	0.45±0.1	
SCHS-3	3.0	0.25±0.05	1.5	0.45±0.1	
SCHS-3.5	3.0	0.25±0.05	1.5	0.45±0.1	
SCHS-4	3.5	0.25±0.05	1.75	0.45±0.1	100
SCHS-5	4.0	0.25±0.05	2.0	0.45±0.1	
SCHS-6	5.0	0.35±0.05	2.5	0.55±0.1	
SCHS-7	6.0	0.35±0.05	3.0	0.55±0.1	
SCHS-8	7.0	0.35±0.05	3.5	0.55±0.1	
SCHS-9	8.0	0.35±0.05	4.0	0.55±0.1	
SCHS-10	9.0	0.35±0.05	4.5	0.55±0.1	
SCHS-11	10.0	0.35±0.05	5.0	0.6±0.1	
SCHS-12	11.0	0.35±0.05	5.5	0.6±0.1	
SCHS-13	12.0	0.35±0.1	6.0	0.7±0.1	
SCHS-14	13.0	0.35±0.1	6.5	0.7±0.1	50
SCHS-15	14.0	0.35±0.1	7.0	0.7±0.1	
SCHS-16	15.0	0.35±0.1	7.5	0.7±0.1	
SCHS-17	16.0	0.35±0.1	8.0	0.7±0.1	
SCHS-18	17.0	0.35±0.1	8.5	0.7±0.1	
SCHS-20	18.0	0.4±0.1	9.0	0.8±0.1	
SCHS-22	20.0	0.5±0.1	10.0	0.9±0.1	
SCHS-25	22.0	0.5±0.1	11.0	0.9±0.1	
SCHS-28	25.0	0.5±0.1	12.5	0.9±0.1	
SCHS-30	28.0	0.5±0.1	14.0	0.9±0.1	
SCHS-35	30.0	0.5±0.1	15.0	1.0±0.2	
SCHS-40	35.0	0.5±0.1	17.5	1.0±0.2	
SCHS-50	40.0	0.5±0.1	20.0	1.0±0.2	
SCHS-60	50.0	0.5±0.1	25.0	1.0±0.2	
SCHS-70	60.0	0.6±0.1	30.0	1.2±0.2	
SCHS-80	70.0	0.6±0.1	35.0	1.2±0.2	
SCHS-90	80.0	0.6±0.1	40.0	1.2±0.2	
SCHS-90	90.0	0.6±0.1	45.0	1.2±0.2	
SCHS-100	100.0	0.7±0.1	50	1.3±0.2	
SCHS-120	120.0	0.7±0.1	60	1.3±0.2	

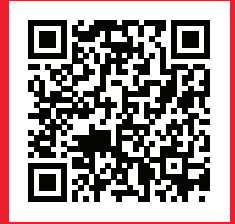






Energising the Future

TOPEX



To Download This
Catalogue Scan
the QR Code

TOPEX

AUTHORISED DEALER



UAE : JAFZA, Office No. LB181002W535
Jabel Ali Free Zone, Dubai, UAE

INDIA : Block No; 108/2, Kambola Savli, Vadodara,
Pin : 391520, Gujarat

🌐 info@topexindustries.com | 🌐 www.topexindustries.com